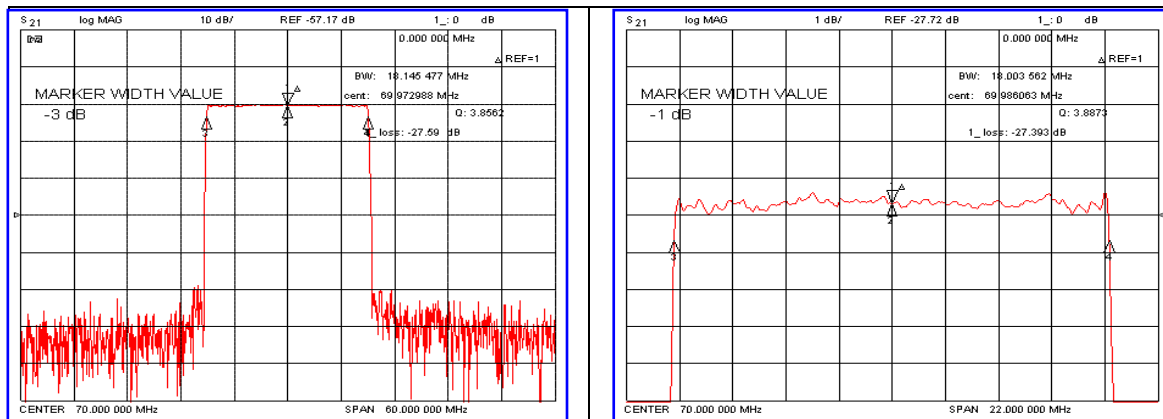


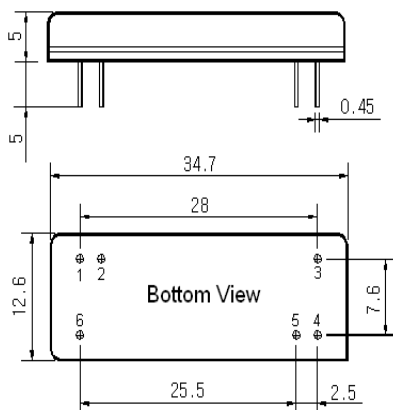
Typical Performance



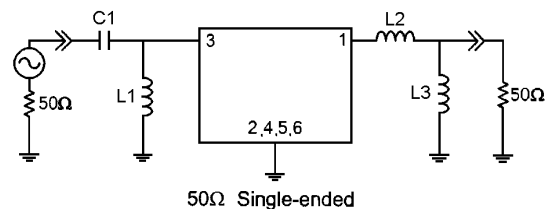
Specification

Parameter	Unit	Min.	Typ.	Max.
Center Frequency	MHz	69.92	70.00	70.08
Insertion Loss	dB	-	27.60	-
1dB Bandwidth	MHz	17.97	18.00	-
3dB Bandwidth	MHz	-	18.14	-
35dB Bandwidth	MHz	-	18.76	-
40dB Bandwidth	MHz	-	18.80	18.83
Passband Ripple	dB	-	0.70	1.00
Group Delay Variation	nsec	-	70	150
Absolute Delay	μsec	-	3.77	-
Ultimate Attenuation	dB	-	46	-
Substrate Material	-	128-LiNbO ₃		
Temperature Coefficient	ppm/°C	-72		

Package Dimension



Matching Configuration



L1=120nH, L2=15nH, L3=220nH, C1=82pF
 Source / Load Impedance = 50Ω
 Ambient Temperature = 25°C

Rev0.070105

