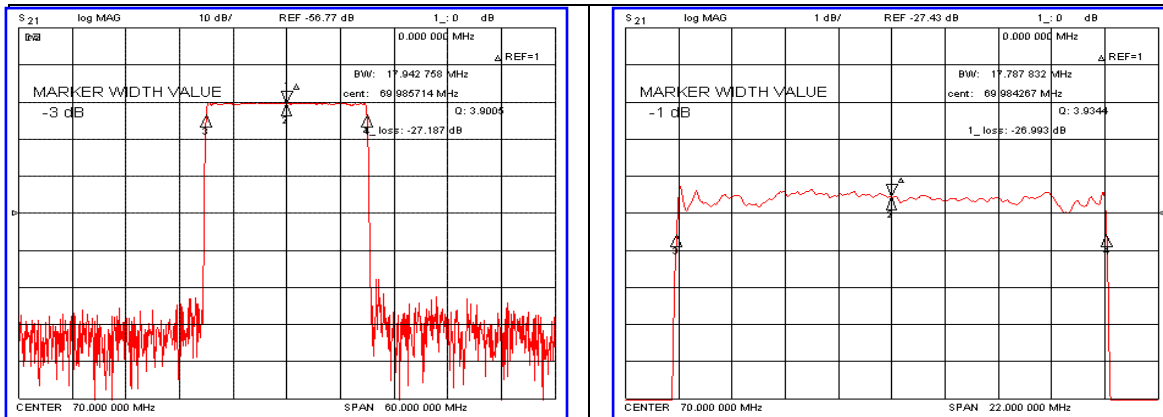


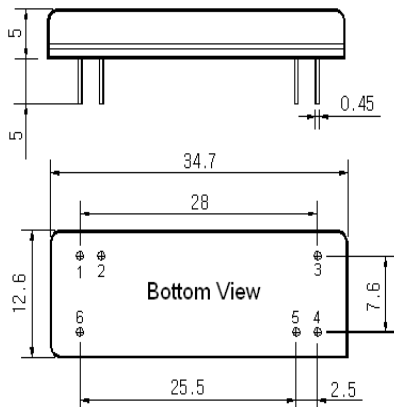
## Typical Performance



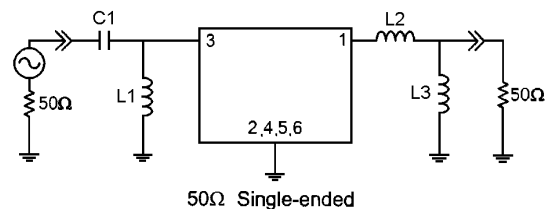
## Specification

Parameter	Unit	Min.	Typ.	Max.
Center Frequency	MHz	69.92	70.00	70.08
Insertion Loss	dB	-	27.30	-
1dB Bandwidth	MHz	17.77	17.78	-
3dB Bandwidth	MHz	-	17.94	-
35dB Bandwidth	MHz	-	18.59	-
40dB Bandwidth	MHz	-	18.63	18.65
Passband Ripple	dB	-	0.70	1.00
Group Delay Variation	nsec	-	70	150
Absolute Delay	μsec	-	3.76	-
Ultimate Attenuation	dB	-	46	-
Substrate Material	-	128-LiNbO <sub>3</sub>		
Temperature Coefficient	ppm/°C	-72		

## Package Dimension



## Matching Configuration



L1=120nH, L2=15nH, L3=220nH, C1=82pF  
 Source / Load Impedance = 50Ω  
 Ambient Temperature = 25°C

Rev0.070105

