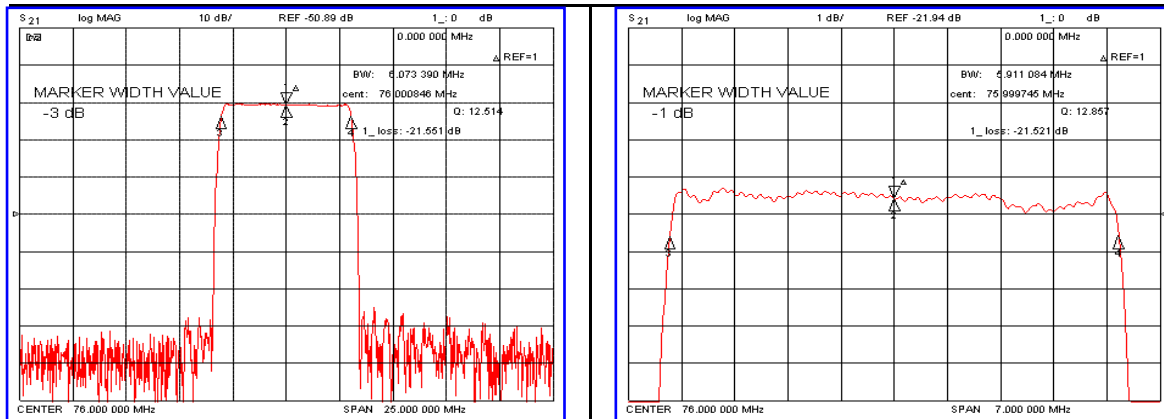


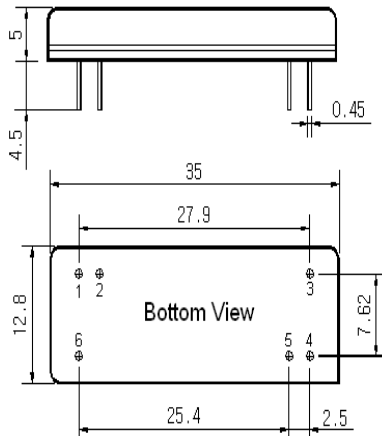
### Typical Performance



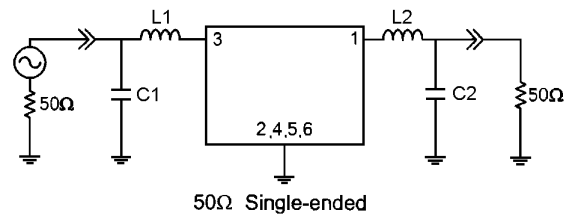
### Specification

Parameter	Unit	Min.	Typ.	Max.
Center Frequency (Fc)	MHz	75.92	76.00	76.08
Insertion Loss	dB	-	22.00	25.00
1dB Bandwidth	MHz	-	5.91	-
3dB Bandwidth	MHz	6.00	6.07	-
20dB Bandwidth	MHz	-	6.55	-
40dB Bandwidth	MHz	-	6.78	7.00
Passband Ripple	dB	-	0.55	1.00
Group Delay Variation	nsec	-	180	250
Absolute Delay	μsec	-	4.07	-
Ultimate Attenuation	dB	50	55	-
Substrate Material	-	Yz-LiNbO <sub>3</sub>		
Temperature Coefficient	ppm/°C	-94		

### Package Dimension



### Matching Configuration



L1= 27nH, L2=100nH, C1=24pF, C2=24pF  
 Source / Load Impedance = 50Ω  
 Ambient Temperature = 25°C

Rev0.070112

