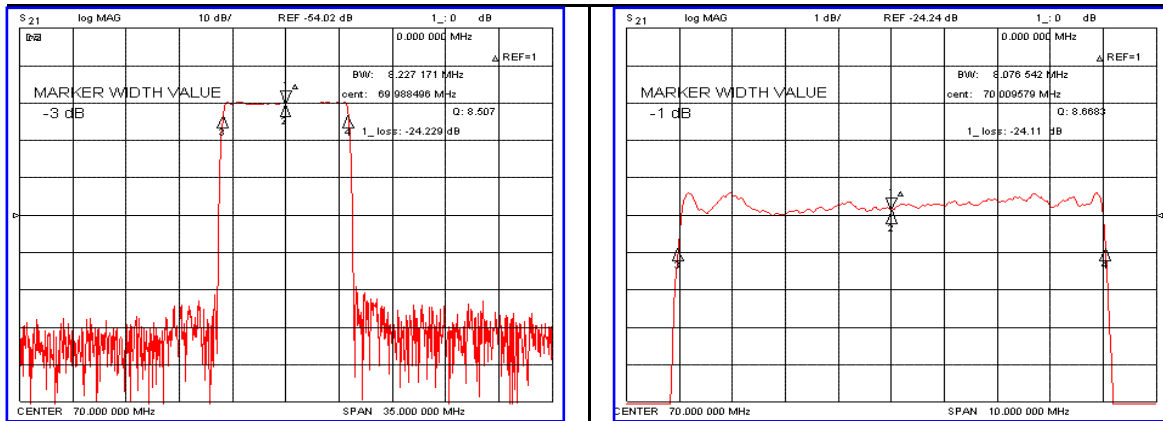


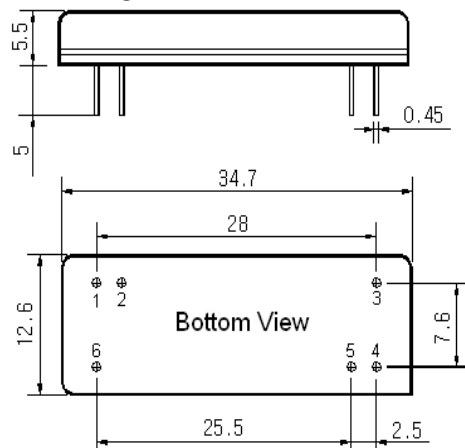
### Typical Performance



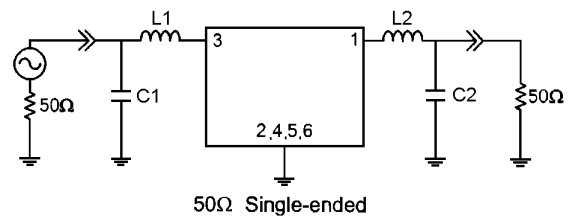
### Specification

Parameter	Unit	Min.	Typ.	Max.
Center Frequency (Fc)	MHz	69.92	70.00	70.08
Insertion Loss	dB	-	24.50	26.00
1dB Bandwidth	MHz	8.00	8.06	-
3dB Bandwidth	MHz	-	8.21	-
20dB Bandwidth	MHz	-	8.67	-
50dB Bandwidth	MHz	-	8.94	9.10
Passband Ripple	dB	-	0.85	1.20
Group Delay Variation	nsec	-	150	250
Absolute Delay	μsec	-	3.99	-
Ultimate Attenuation	dB	50	55	-
Substrate Material	-	128-LiNbO <sub>3</sub>		
Temperature Coefficient	ppm/°C	-72		

### Package Dimension



### Matching Configuration



L1= 47nH, L2=47nH, C1=22pF, C2=39pF  
 Source / Load Impedance = 50Ω  
 Ambient Temperature = 25°C

Rev1.070213

