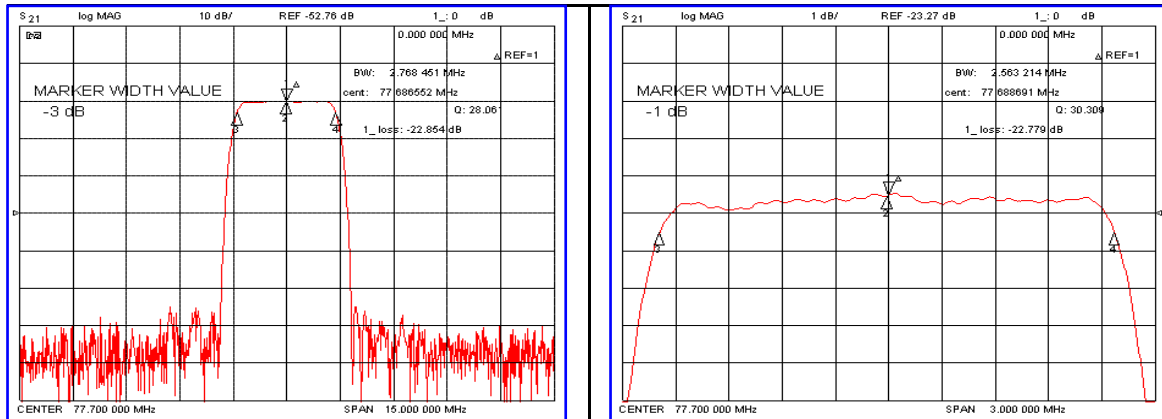


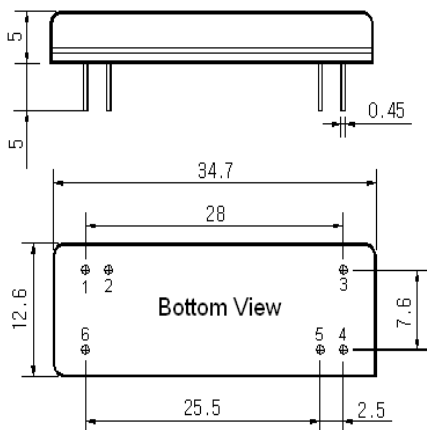
Typical Performance



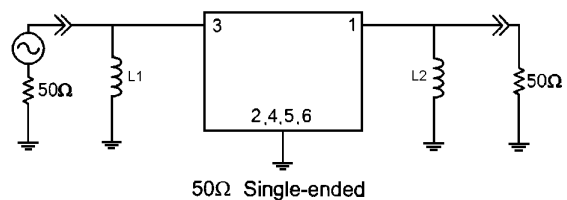
Specification

Parameter	Unit	Min.	Typ.	Max.
Center Frequency	MHz	77.62	77.70	77.78
Insertion Loss	dB	-	23.00	25.00
1dB Bandwidth	MHz	2.50	2.56	-
3dB Bandwidth	MHz	2.70	2.76	-
40dB Bandwidth	MHz	-	3.55	3.60
Passband Ripple	dB	-	0.60	1.00
Group Delay Variation	nsec	-	120	200
Absolute Delay	μsec	-	4.58	4.70
Ultimate Attenuation	dB	50	55	-
Substrate Material	-	LiTaO ₃		
Temperature Coefficient	ppm/°C	-20		

Package Dimension



Matching Configuration



L1=180nH, L2=180nH
 Source / Load Impedance = 50Ω
 Ambient Temperature = 25°C

Rev0. 070223

