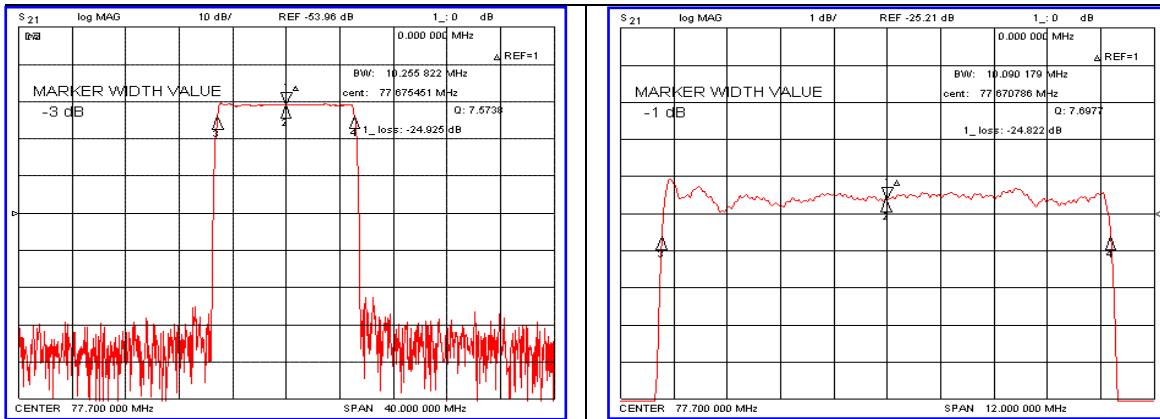


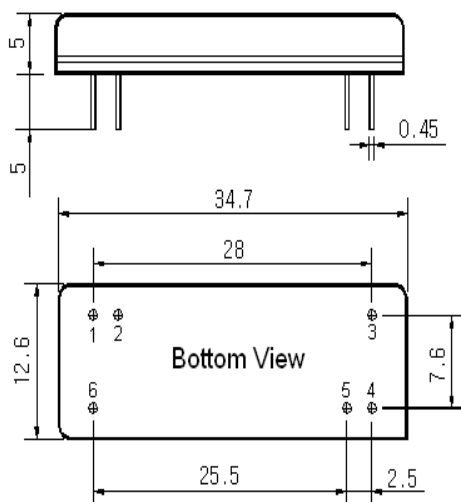
Typical Performance



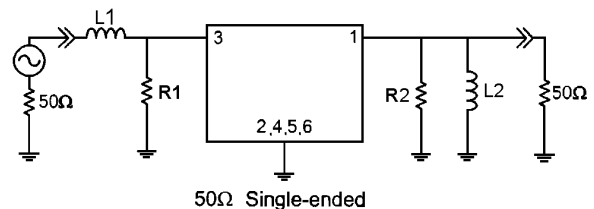
Specification

Parameter	Unit	Min.	Typ.	Max.
Center Frequency	MHz	69.92	77.70	70.08
Insertion Loss	dB	-	24.50	26.50
1dB Bandwidth	MHz	-	10.04	-
3dB Bandwidth	MHz	10.20	10.25	-
40dB Bandwidth	MHz	-	10.99	11.10
Passband Ripple	dB	-	0.85	1.20
Group Delay Variation	nsec	-	110	200
Absolute Delay	µsec	-	3.80	-
Ultimate Attenuation	dB	50	55	-
Temperature Coefficient	ppm/°C	-	-72	-

Package Dimension



Matching Configuration



R1= R2=100 Ω ,L1=56nH, L2=120nH
 Source / Load Impedance = 50Ω
 Ambient Temperature = 25°C

Rev1. 070328

