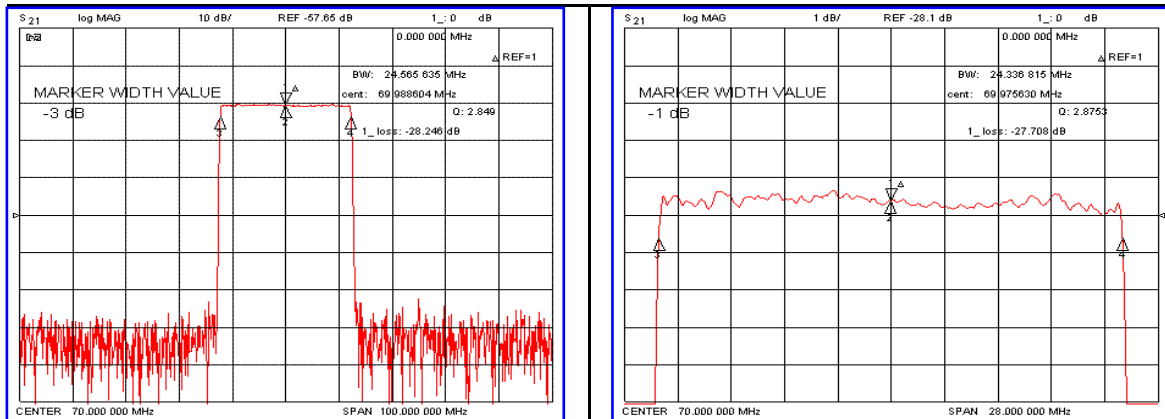


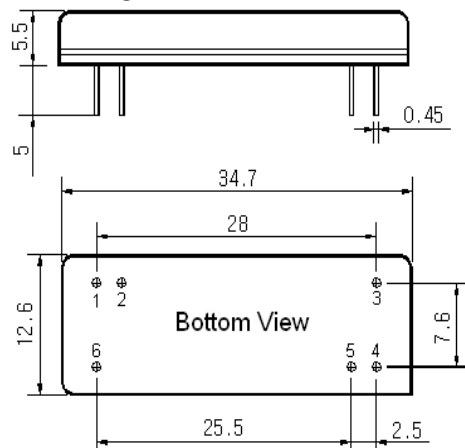
Typical Performance



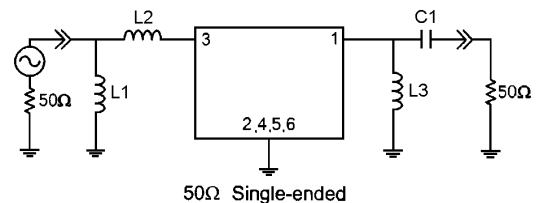
Specification

Parameter	Unit	Min.	Typ.	Max.
Center Frequency (Fc)	MHz	69.92	70.00	70.08
Insertion Loss	dB	-	28.50	30.00
1dB Bandwidth	MHz	-	24.33	-
3dB Bandwidth	MHz	24.40	24.56	-
20dB Bandwidth	MHz	-	25.25	25.30
40dB Bandwidth	MHz	-	25.58	25.70
Passband Ripple	dB	-	0.85	1.20
Group Delay Variation	nsec	-	50	100
Absolute Delay	μsec	-	3.14	-
Ultimate Attenuation	dB	50	55	-
Substrate Material	-	128-LiNbO ₃		
Temperature Coefficient	ppm/°C	-72		

Package Dimension



Matching Configuration



L1= 220nH, L2=82nH, L3=120nH, C1=51pF
 Source / Load Impedance = 50Ω
 Ambient Temperature = 25°C

Rev0.070215

