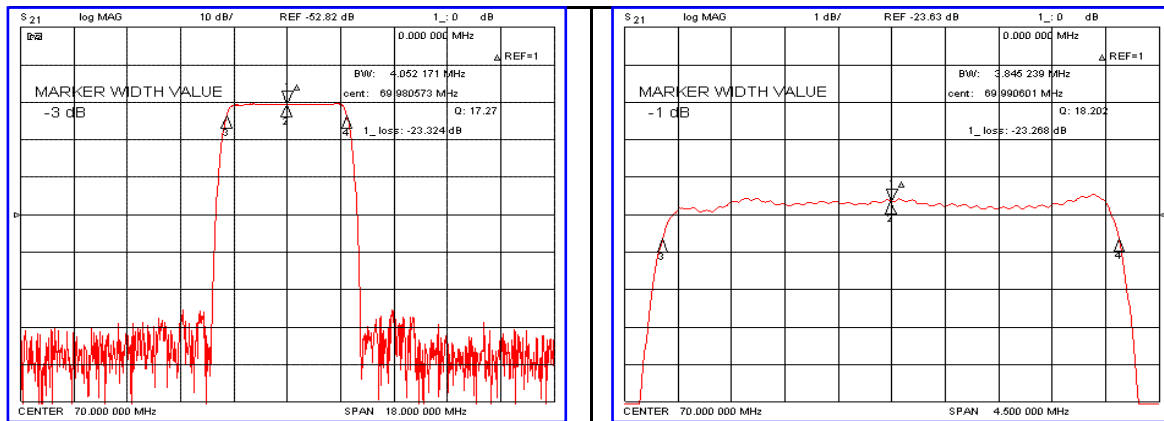


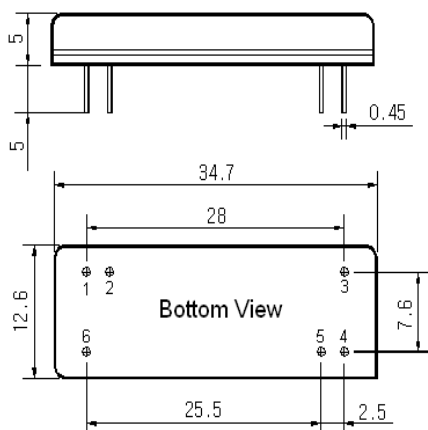
### Typical Performance



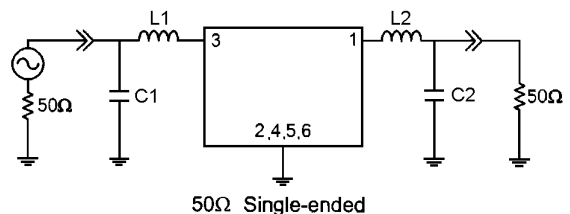
### Specification

Parameter	Unit	Min.	Typ.	Max.
Center Frequency	MHz	69.92	70.00	70.08
Insertion Loss	dB	-	23.50	25.00
1dB Bandwidth	MHz	-	3.84	-
3dB Bandwidth	MHz	3.95	4.05	-
50dB Bandwidth	MHz	-	4.97	5.00
Passband Ripple ( $F_o \pm 1.82\text{MHz}$ )	dB	-	0.65	1.00
Group Delay Variation ( $F_o \pm 1.85\text{MHz}$ )	nsec	-	120	200
Absolute Delay	$\mu\text{sec}$	-	4.60	4.80
Ultimate Attenuation	dB	50	55	-
Substrate Material	-	LiTaO <sub>3</sub>		
Temperature Coefficient	ppm/ $^{\circ}\text{C}$	-20		

### Package Dimension



### Matching Configuration



L1=150nH, L2=150nH, C1=51pF, C2=51pF  
 Source / Load Impedance = 50 $\Omega$   
 Ambient Temperature = 25 $^{\circ}\text{C}$

Rev0. 070215

