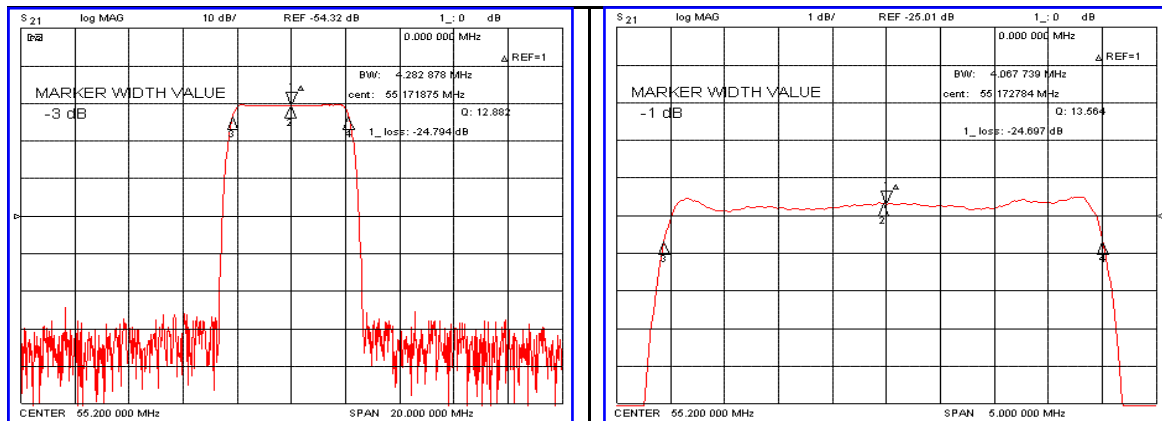


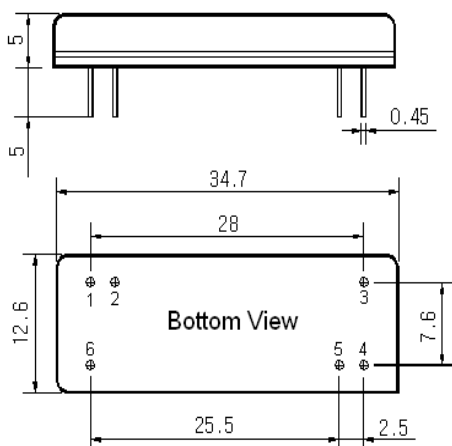
### Typical Performance



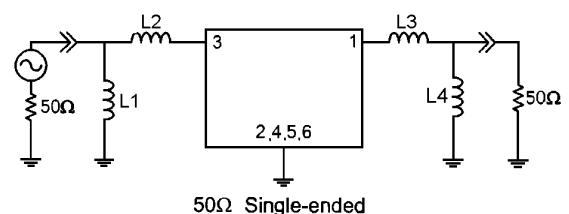
### Specification

Parameter	Unit	Min.	Typ.	Max.
Center Frequency	MHz	55.12	55.20	55.28
Insertion Loss	dB	-	24.80	26.50
1dB Bandwidth	MHz	-	4.06	-
3dB Bandwidth	MHz	4.20	4.28	-
40dB Bandwidth	MHz	-	5.17	5.30
Passband Ripple	dB	-	0.40	0.50
Group Delay Variation	nsec	-	70	120
Absolute Delay	μsec	-	4.49	4.60
Ultimate Attenuation	dB	50	55	
Substrate Material	-	LiTaO <sub>3</sub>		
Temperature Coefficient	ppm/°C	-20		

### Package Dimension



### Matching Configuration



L1=L4=220nH, L2=100nH, L3=120H  
 Source / Load Impedance = 50Ω  
 Ambient Temperature = 25°C

Rev 0. 070317

