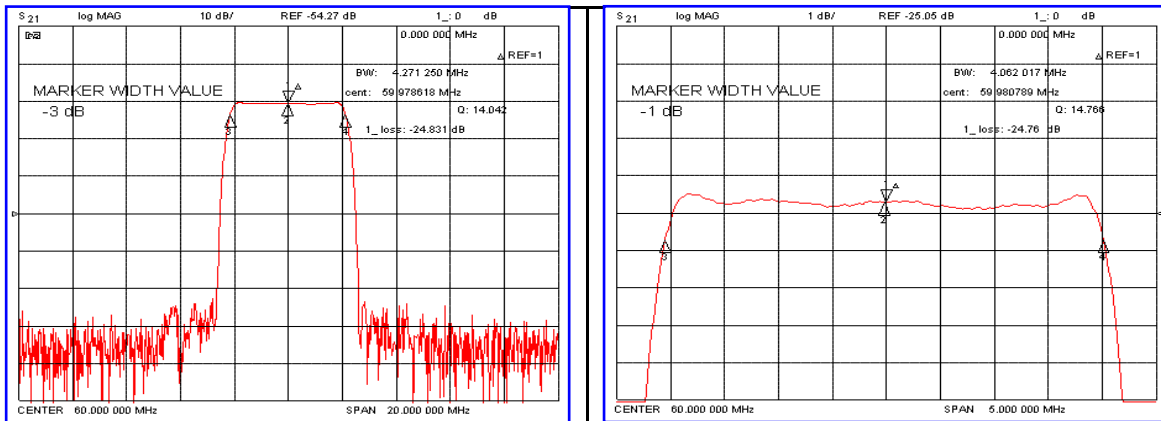


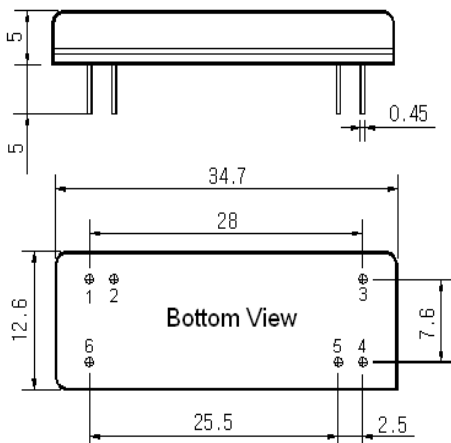
Typical Performance



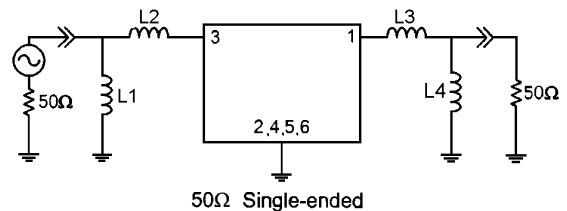
Specification

Parameter	Unit	Min.	Typ.	Max.
Center Frequency	MHz	59.92	60.00	60.08
Insertion Loss	dB	-	24.80	26.00
1dB Bandwidth	MHz	-	4.06	-
3dB Bandwidth	MHz	4.20	4.27	-
40dB Bandwidth	MHz	-	5.14	5.30
Passband Ripple	dB	-	0.40	0.50
Group Delay Variation	nsec	-	70	150
Absolute Delay	μsec	-	4.45	4.60
Ultimate Attenuation	dB	50	55	
Substrate Material	-	LiTaO ₃		
Temperature Coefficient	ppm/°C	-20		

Package Dimension



Matching Configuration



L1=L4=220nH, L2=L3=82nH
 Source / Load Impedance = 50Ω
 Ambient Temperature = 25°C

Rev 0. 070317

