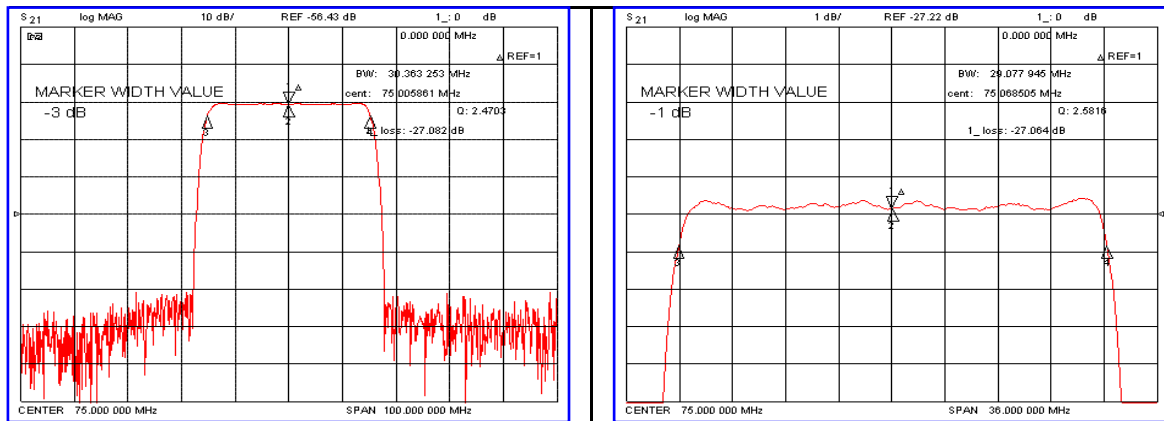


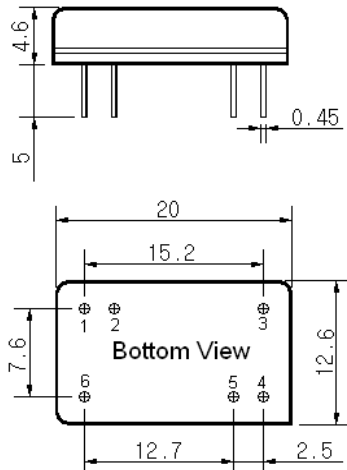
Typical Performance



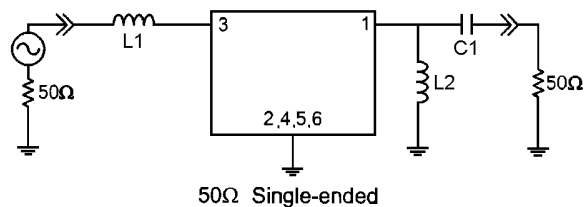
Specification

Parameter	Unit	Min.	Typ.	Max.
Center Frequency	MHz	74.92	75.00	75.08
Insertion Loss	dB	-	27.20	29.00
1dB Bandwidth	MHz	-	29.07	-
3dB Bandwidth	MHz	30.00	30.36	-
40dB Bandwidth	MHz	-	35.20	35.50
Passband Ripple($F_c \pm 13.5$ MHz)	dB	-	0.45	1.00
Group Delay Variation($F_c \pm 13.5$ MHz)	nsec	-	30	50
Absolute Delay	μ sec	-	0.84	0.90
Ultimate Attenuation	dB	50	55	-
Substrate Material	-	128-LiNbO ₃		
Temperature Coefficient	ppm/ $^{\circ}$ C	-72		

Package Dimension



Matching Configuration



L1=180nH, L2=180nH, C1=33pF
 Source / Load Impedance = 50 Ω
 Ambient Temperature = 25 $^{\circ}$ C

Rev0. 070412

