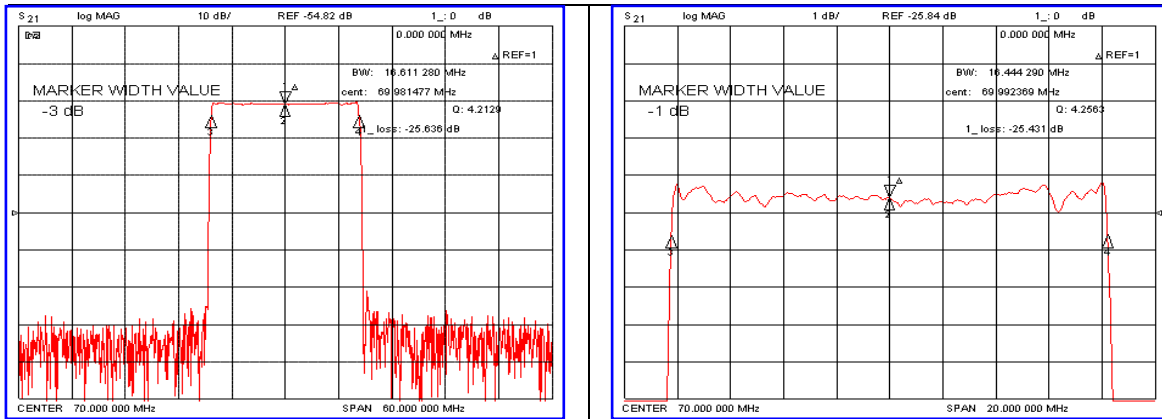


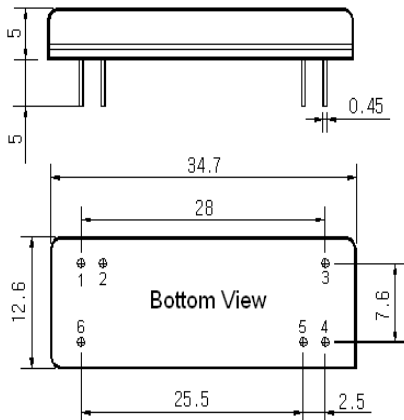
Typical Performance



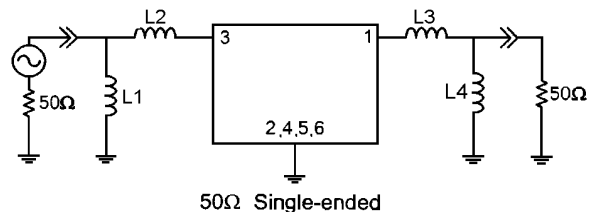
Specification

Parameter	Unit	Min.	Typ.	Max.
Center Frequency	Mhz	69.92	70.00	70.08
Insertion Loss	dB	-	25.70	27.00
1dB Bandwidth	Mhz	16.30	16.44	-
3dB Bandwidth	Mhz	-	16.61	-
20dB Bandwidth	Mhz	-	17.14	17.20
40dB Bandwidth	Mhz	-	17.38	-
Passband Ripple	dB	-	0.80	1.00
Group Delay Variation	nsec	-	60	100
Absolute Delay	µsec	-	3.60	-
Ultimate Attenuation	dB	48	52	-
Substrate Material	-	128-LN		
Temperature Coefficient	ppm/°C	-72		

Package Dimension



Matching Configuration



L1=L4=180nH, L2=L3=27nH
Source / Load Impedance = 50Ω
Ambient Temperature = 25°C

