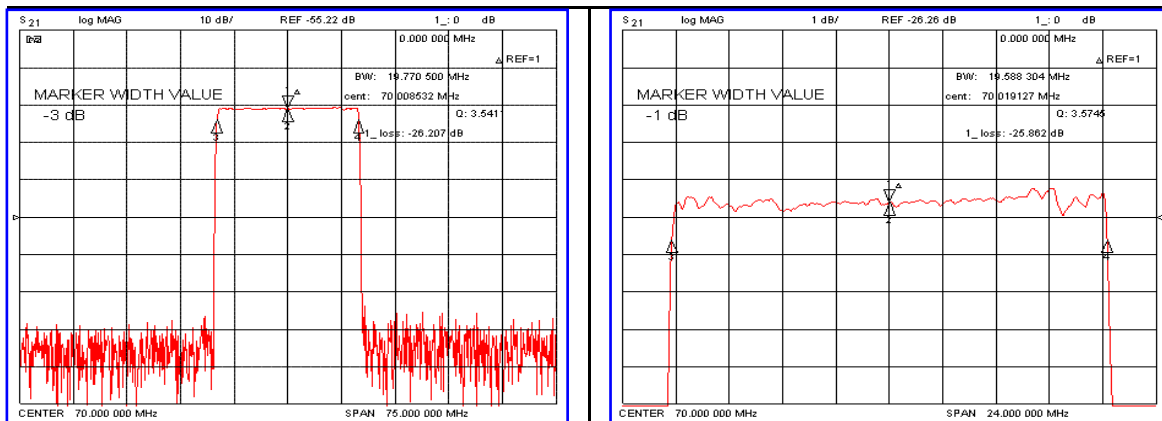


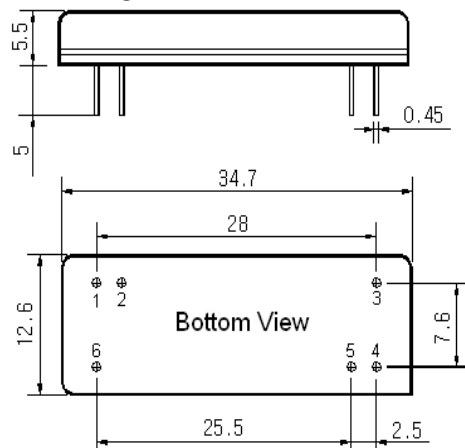
Typical Performance



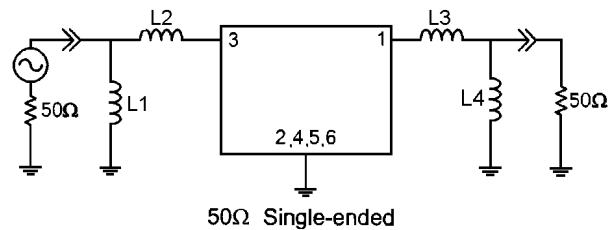
Specification

Parameter	Unit	Min.	Typ.	Max.
Center Frequency (Fc)	MHz	69.92	70.00	70.08
Insertion Loss	dB	-	26.50	28.00
1dB Bandwidth	MHz	-	19.58	-
3dB Bandwidth	MHz	19.60	19.77	-
20dB Bandwidth	MHz	-	20.33	-
40dB Bandwidth	MHz	-	20.60	20.70
Passband Ripple	dB	-	0.75	1.00
Group Delay Variation	nsec	-	50	100
Absolute Delay	μsec	-	3.59	-
Ultimate Attenuation	dB	50	55	-
Substrate Material	-	128-LiNbO ₃		
Temperature Coefficient	ppm/°C	-72		

Package Dimension



Matching Configuration



L1= L4=220nH, L2=47nH, L3=39nH
 Source / Load Impedance = 50Ω
 Ambient Temperature = 25°C

Rev0.070319

