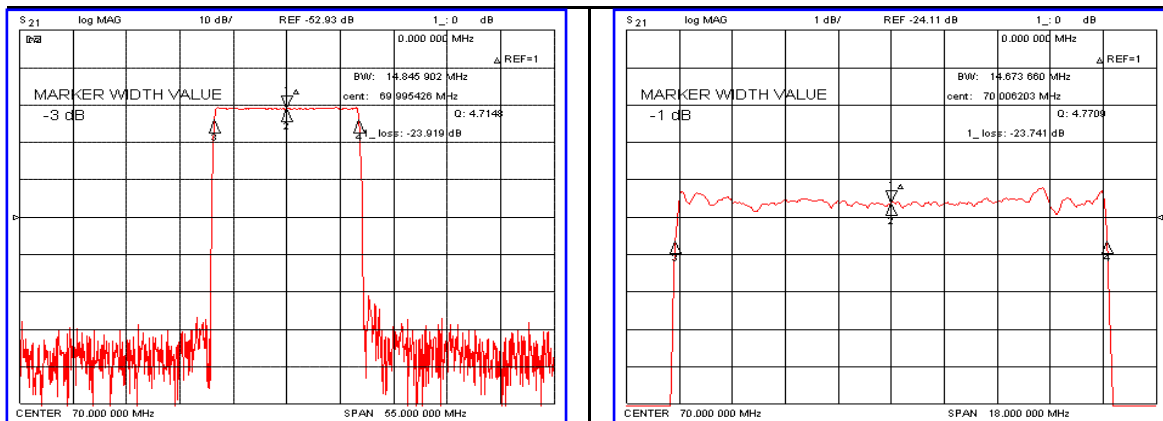


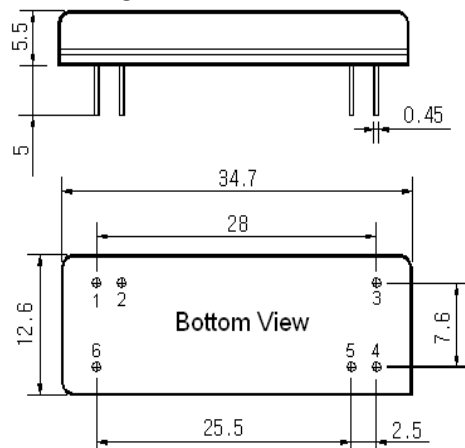
### Typical Performance



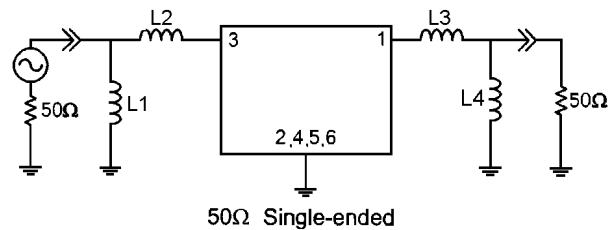
### Specification

Parameter	Unit	Min.	Typ.	Max.
Center Frequency (Fc)	MHz	69.92	70.00	70.08
Insertion Loss	dB	-	24.00	25.50
1dB Bandwidth	MHz	-	14.67	-
3dB Bandwidth	MHz	14.70	14.84	-
20dB Bandwidth	MHz	-	15.36	-
40dB Bandwidth	MHz	-	15.60	15.70
Passband Ripple	dB	-	0.72	1.00
Group Delay Variation	nsec	-	100	200
Absolute Delay	μsec	-	3.73	-
Ultimate Attenuation	dB	50	53	-
Substrate Material	-	128-LiNbO <sub>3</sub>		
Temperature Coefficient	ppm/°C	-72		

### Package Dimension



### Matching Configuration



L1= L4=220nH, L2=L3=18nH  
 Source / Load Impedance = 50Ω  
 Ambient Temperature = 25°C

Rev0.070319

