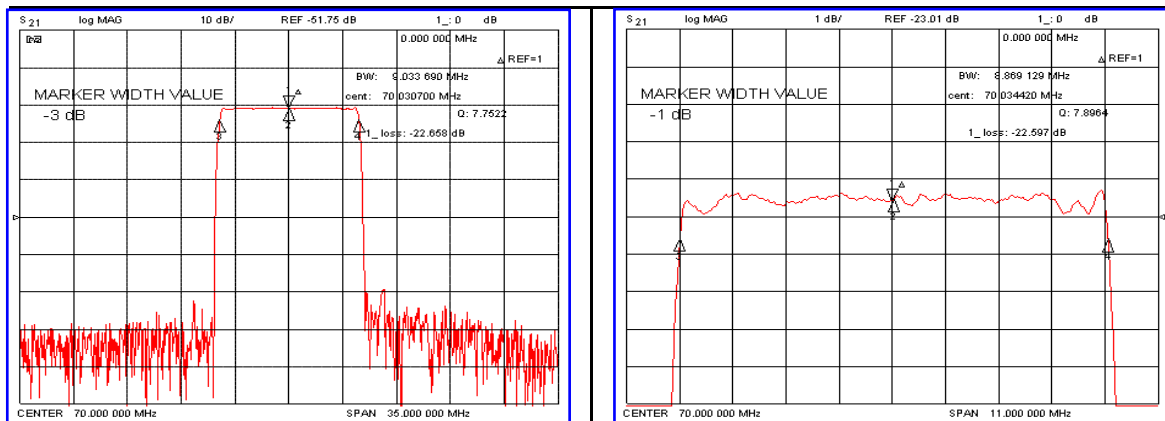


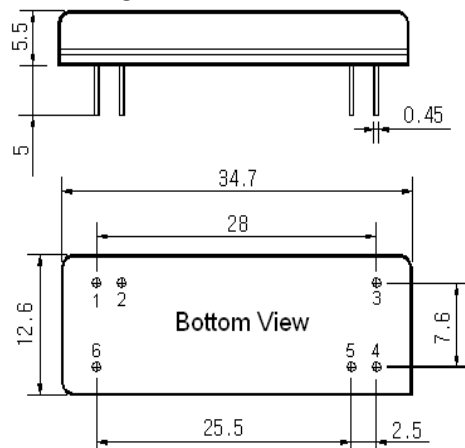
Typical Performance



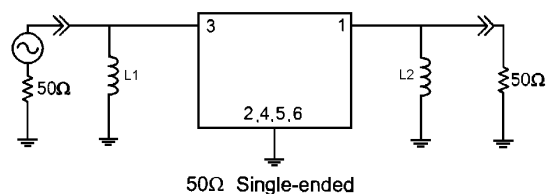
Specification

Parameter	Unit	Min.	Typ.	Max.
Center Frequency (Fc)	MHz	69.92	70.00	70.08
Insertion Loss	dB	-	22.70	25.00
1dB Bandwidth	MHz	-	8.86	-
3dB Bandwidth	MHz	8.90	9.03	-
20dB Bandwidth	MHz	-	9.50	-
40dB Bandwidth	MHz	-	9.70	9.80
Passband Ripple	dB	-	0.65	1.00
Group Delay Variation	nsec	-	120	200
Absolute Delay	μsec	-	3.95	-
Ultimate Attenuation	dB	-	48	-
Substrate Material	-	128-LiNbO ₃		
Temperature Coefficient	ppm/°C	-72		

Package Dimension



Matching Configuration



L1= 470nH, L2=470nH
 Source / Load Impedance = 50Ω
 Ambient Temperature = 25°C

Rev0.070319

