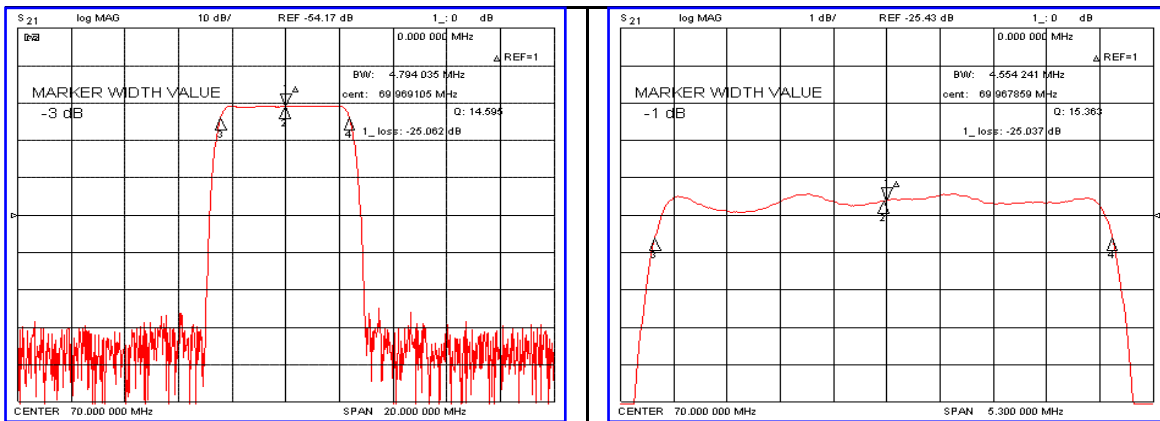


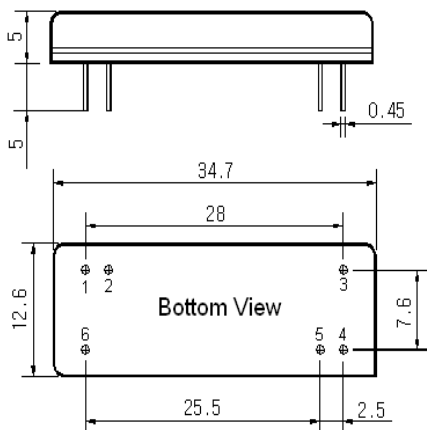
Typical Performance



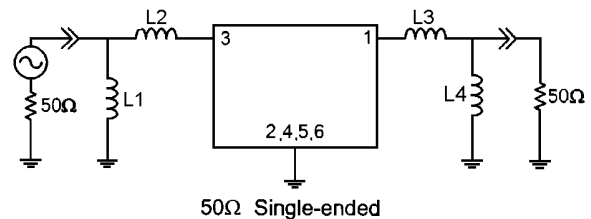
Specification

Parameter	Unit	Min.	Typ.	Max.
Center Frequency	MHz	69.92	70.00	70.08
Insertion Loss	dB	-	25.20	26.50
1dB Bandwidth	MHz	4.40	4.55	-
3dB Bandwidth	MHz	-	4.79	-
12dB Bandwidth	MHz	-	5.25	5.30
50dB Bandwidth	MHz	-	5.86	6.00
Passband Ripple	dB	-	0.55	1.00
Group Delay Variation	nsec	-	60	100
Absolute Delay	μsec	-	4.13	4.70
Ultimate Attenuation	dB	50	55	-
Substrate Material	-	LiTaO ₃		
Temperature Coefficient	ppm/°C	-20		

Package Dimension



Matching Configuration



L1= L4=120nH, L2=L3=27nH
 Source / Load Impedance = 50Ω
 Ambient Temperature = 25°C

Rev0. 070425

