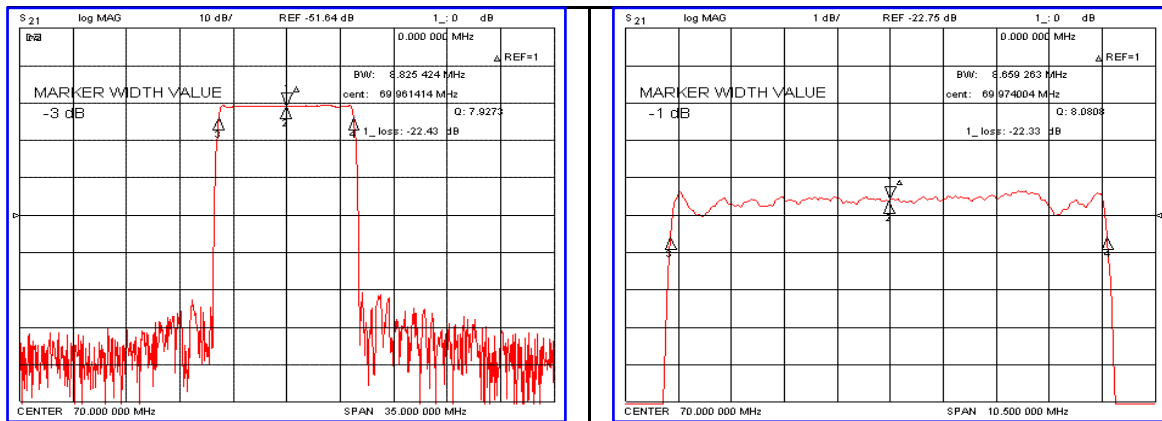


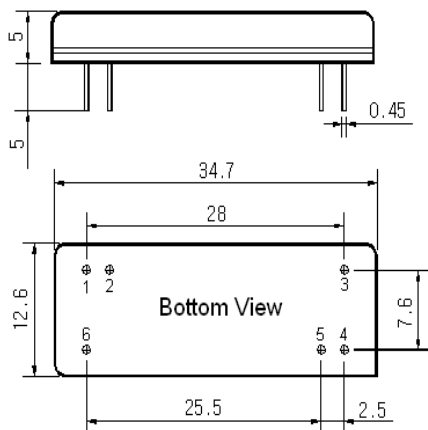
Typical Performance



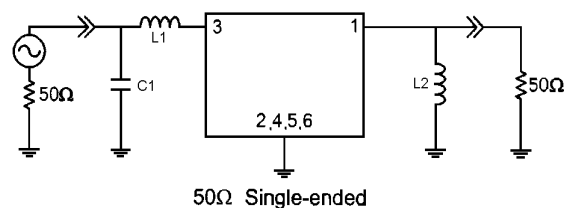
Specification

Parameter	Unit	Min.	Typ.	Max.
Center Frequency	MHz	69.92	70.00	70.08
Insertion Loss	dB	-	22.50	25.00
1dB Bandwidth	MHz	8.50	8.65	8.80
3dB Bandwidth	MHz	-	8.82	-
12dB Bandwidth	MHz	-	9.15	9.30
40dB Bandwidth	MHz	-	9.52	9.70
Passband Ripple	dB	-	0.70	1.00
Group Delay Variation	nsec	-	100	200
Absolute Delay	μsec	-	3.94	4.50
Ultimate Attenuation	dB	50	52	-
Substrate Material	-	128-LiNbO ₃		
Temperature Coefficient	ppm/°C	-72		

Package Dimension



Matching Configuration



L1= 33nH, L2=180nH, C1=18pF
 Source / Load Impedance = 50Ω
 Ambient Temperature = 25°C

Rev0. 070425

