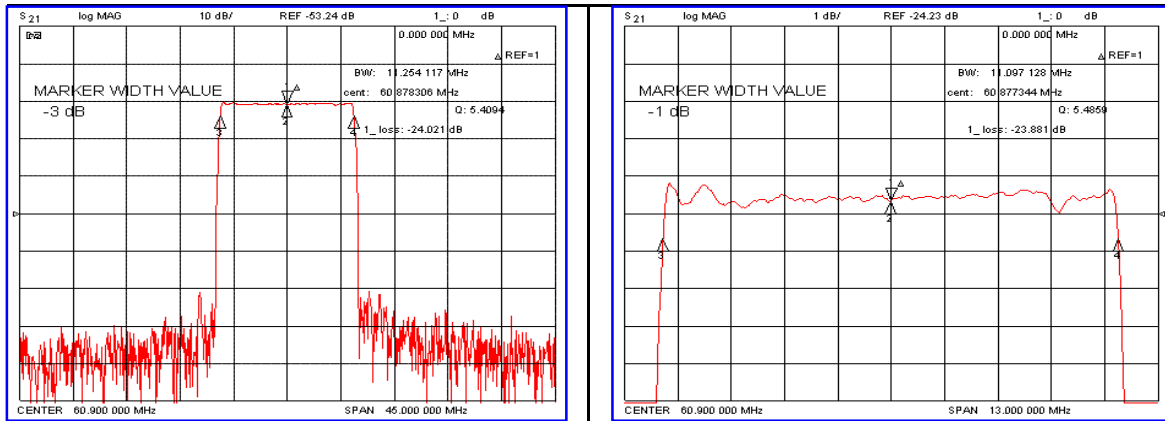


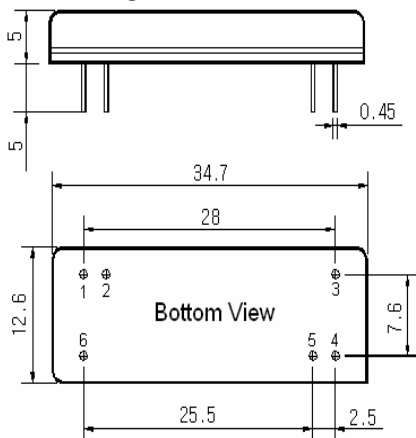
Typical Performance



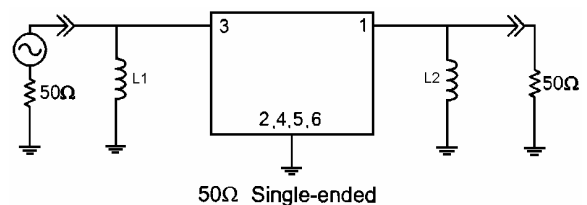
Specification

Parameter	Unit	Min.	Typ.	Max.
Center Frequency	MHz	60.82	60.90	60.98
Insertion Loss	dB	-	24.10	26.00
1dB Bandwidth	MHz	-	11.09	-
3dB Bandwidth	MHz	11.15	11.25	-
20dB Bandwidth	MHz	-	11.74	-
40dB Bandwidth	MHz	-	11.95	12.10
Passband Ripple	dB	-	0.80	1.00
Absolute Delay	μsec	-	3.86	-
Group Delay Variation	nsec	-	100	-
Ultimate Attenuation	dB	-	50	-
Substrate Material	-	128-LiNbO ₃		
Temperature Coefficient	ppm/°C	-72		

Package Dimension



Matching Configuration



L1=270nH, L2=270nH,
 Source / Load Impedance = 50Ω
 Ambient Temperature = 25°C

Rev0. 070516

