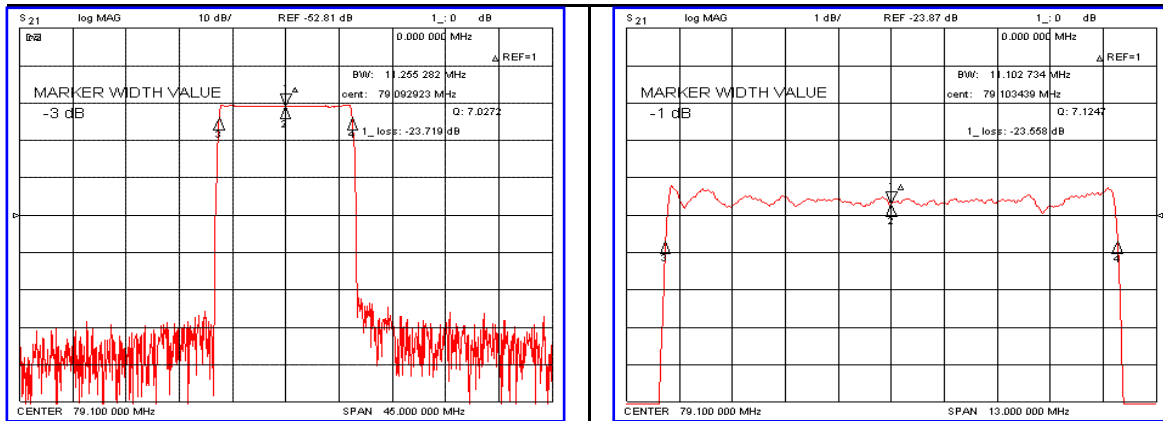


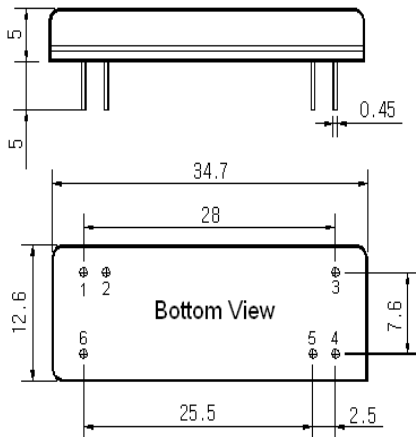
Typical Performance



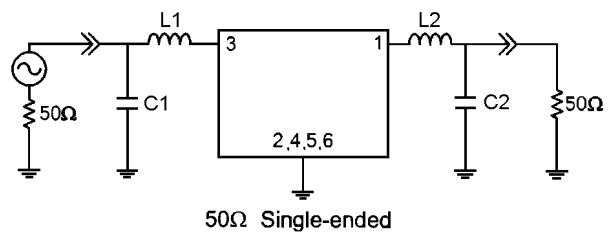
Specification

Parameter	Unit	Min.	Typ.	Max.
Center Frequency	MHz	79.02	79.10	79.18
Insertion Loss	dB	-	23.80	26.00
1dB Bandwidth	MHz	-	11.10	-
3dB Bandwidth	MHz	11.15	11.25	-
20dB Bandwidth	MHz	-	11.73	-
40dB Bandwidth	MHz	-	11.95	12.10
Passband Ripple	dB	-	0.75	1.00
Absolute Delay	μsec	-	3.87	-
Group Delay Variation	nsec	-	100	-
Ultimate Attenuation	dB	-	50	-
Substrate Material	-	128-LiNbO ₃		
Temperature Coefficient	ppm/°C	-72		

Package Dimension



Matching Configuration



L1= L2=47nH, C1=C2=22pF
 Source / Load Impedance = 50Ω
 Ambient Temperature = 25°C

Rev0. 070516

