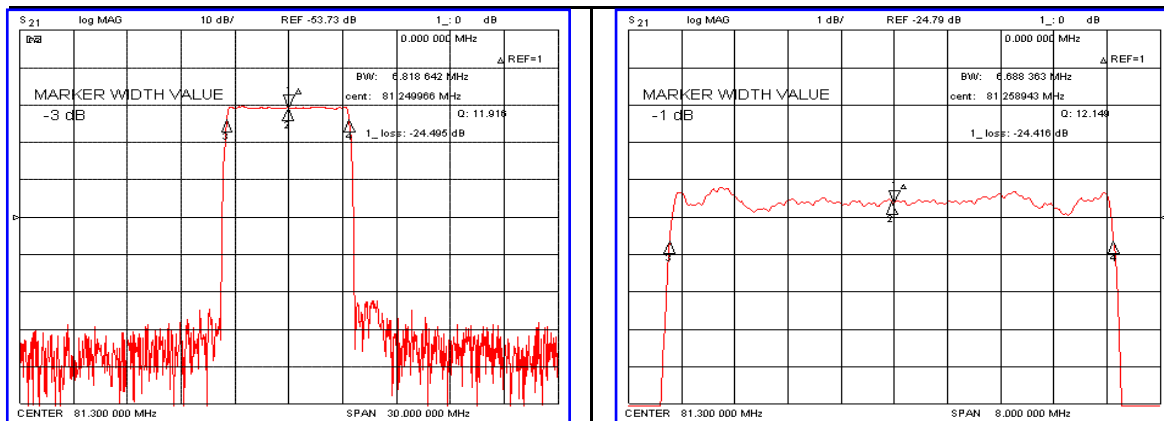


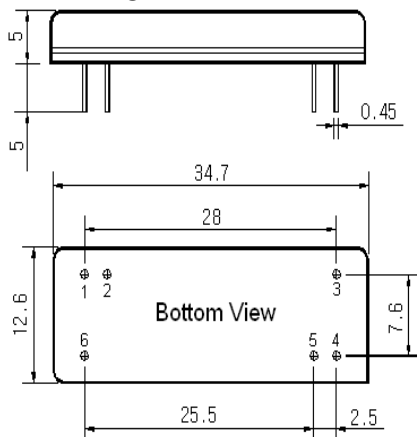
Typical Performance



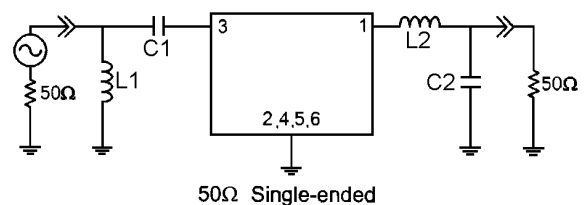
Specification

Parameter	Unit	Min.	Typ.	Max.
Center Frequency	MHz	81.22	81.30	81.38
Insertion Loss	dB	-	24.50	26.00
1dB Bandwidth	MHz	-	6.68	-
3dB Bandwidth	MHz	6.70	6.81	-
20dB Bandwidth	MHz	-	7.21	-
40dB Bandwidth	MHz	-	7.38	7.50
Passband Ripple	dB	-	0.70	1.00
Absolute Delay	μsec	-	4.49	-
Group Delay Variation	nsec	-	150	-
Ultimate Attenuation	dB	-	50	-
Substrate Material	-	Yz-LiNbO ₃		
Temperature Coefficient	ppm/°C	-94		

Package Dimension



Matching Configuration



L1=180nH, L2=47nH, C1=58pF, C2=10pF
 Source / Load Impedance = 50Ω
 Ambient Temperature = 25°C

Rev0. 070516

