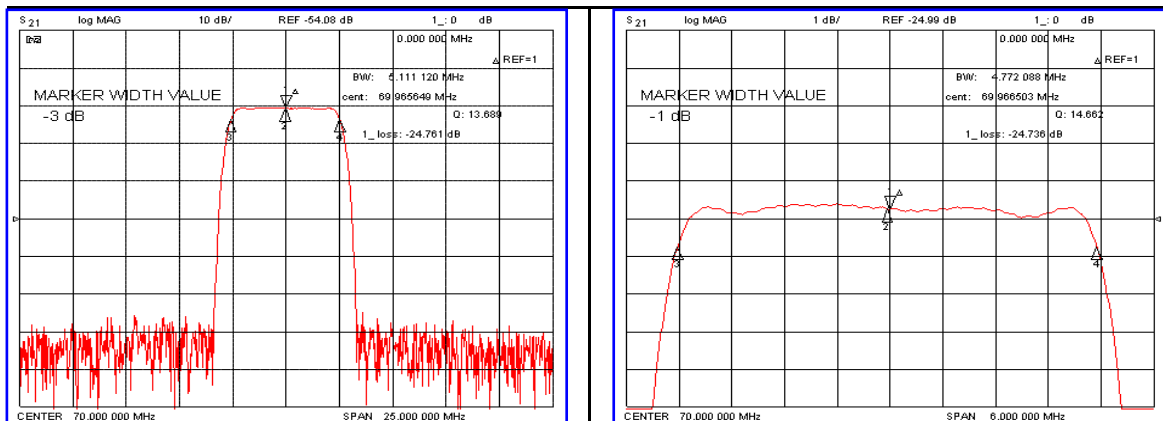


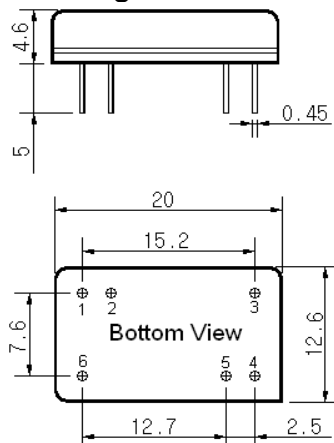
### Typical Performance



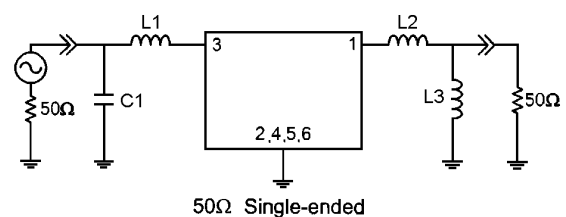
### Specification

Parameter	Unit	Min.	Typ.	Max.
Center Frequency (Fc)	MHz	69.95	70.00	70.05
Insertion Loss	dB	-	24.80	26.00
1dB Bandwidth	MHz	-	4.77	-
3dB Bandwidth	MHz	5.00	5.11	-
25dB Bandwidth	MHz	-	6.16	6.20
35dB Bandwidth	MHz	-	6.36	-
Passband Ripple	dB	-	0.45	1.00
Group Delay Variation	nsec	-	50	100
Absolute Delay	μsec	-	2.99	-
Ultimate Attenuation	dB	50	55	-
Substrate Material	-	112-LiTaO <sub>3</sub>		
Temperature Coefficient	ppm/°C	-20		

### Package Dimension



### Matching Configuration



L1 = 220nH, L2 = 68nH, L3 = 82nH, C1 = 36pF  
 Source / Load Impedance = 50Ω  
 Ambient Temperature = 25°C

Rev0.070613

