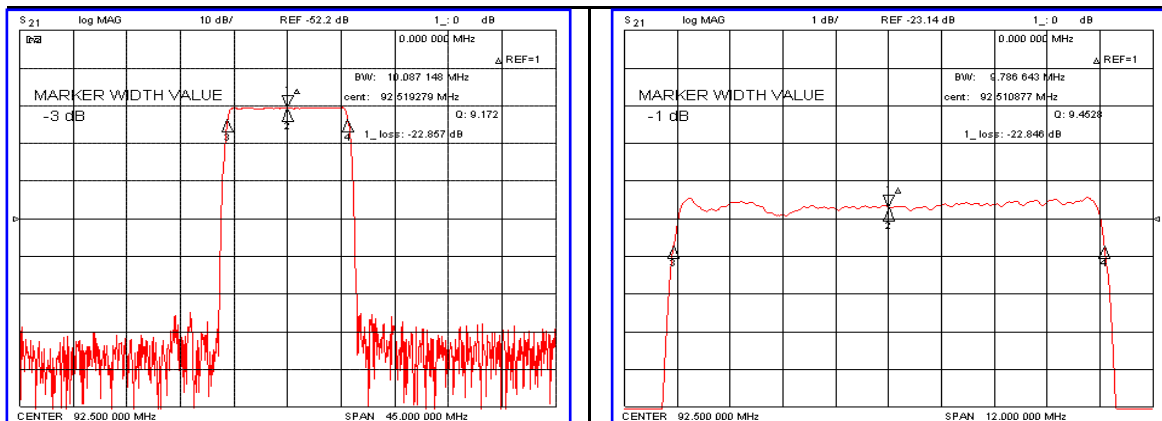


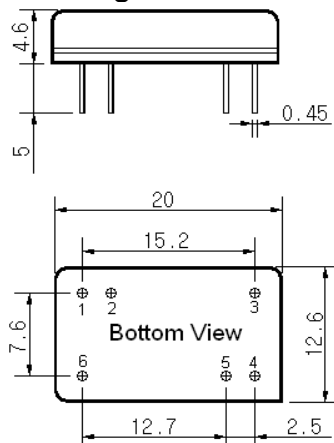
Typical Performance



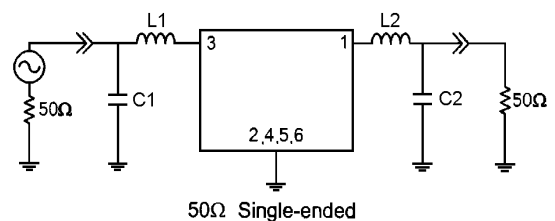
Specification

Parameter	Unit	Min.	Typ.	Max.
Center Frequency (Fc)	MHz	92.45	92.50	92.55
Insertion Loss	dB	-	23.00	25.00
1dB Bandwidth	MHz	-	9.78	-
3dB Bandwidth	MHz	10.00	10.08	-
25dB Bandwidth	MHz	-	11.09	11.20
35dB Bandwidth	MHz	-	11.28	-
Passband Ripple	dB	-	0.55	1.00
Group Delay Variation	nsec	-	50	100
Absolute Delay	μsec	-	2.15	-
Ultimate Attenuation	dB	50	55	-
Substrate Material	-	128-LiNbO ₃		
Temperature Coefficient	ppm/°C	-72		

Package Dimension



Matching Configuration



L1 = 33nH, L2 = 33nH, C1 = 22pF, C2 = 22pF
 Source / Load Impedance = 50Ω
 Ambient Temperature = 25°C

Rev0.070614

