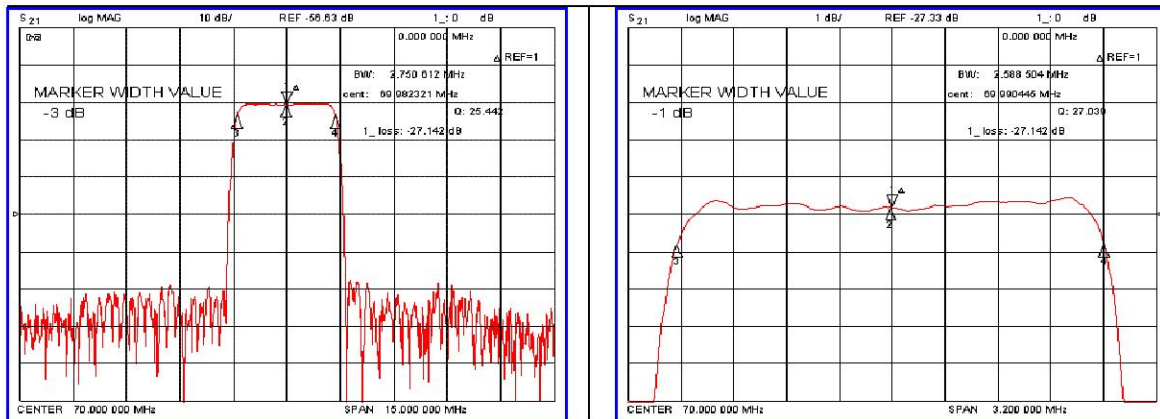


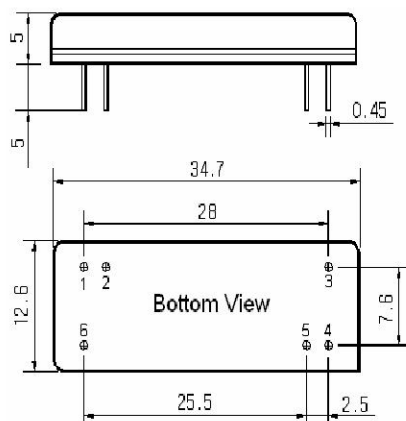
Typical Performance



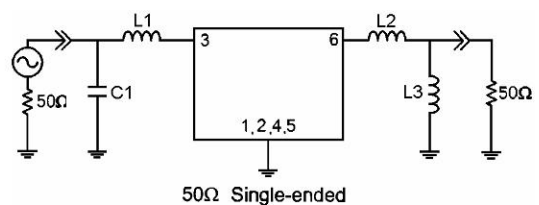
Specification

Parameter	Unit	Min.	Typ.	Max.
Center Frequency (Fc)	MHz	69.92	70.00	70.08
Insertion Loss	dB	-	27.50	-
1dB Bandwidth	MHz	-	2.58	-
3dB Bandwidth	MHz	-	2.75	-
20dB Bandwidth	MHz	-	3.12	-
40dB Bandwidth	MHz	-	3.28	3.50
Passband Ripple	dB	-	0.50	1.00
Group Delay Variation	nsec	-	150	250
Absolute Delay	μsec	-	4.30	-
Ultimate Attenuation	dB	-	47	-
Substrate Material	-	Quartz		
Temperature Coefficient	ppm/°C	-0.03		

Package Dimension



Matching Configuration



L1= 270nH, L2=110nH, L3=68nH, C1=62pF
 Source / Load Impedance = 50Ω
 Ambient Temperature = 25°C

Rev0. 061215

