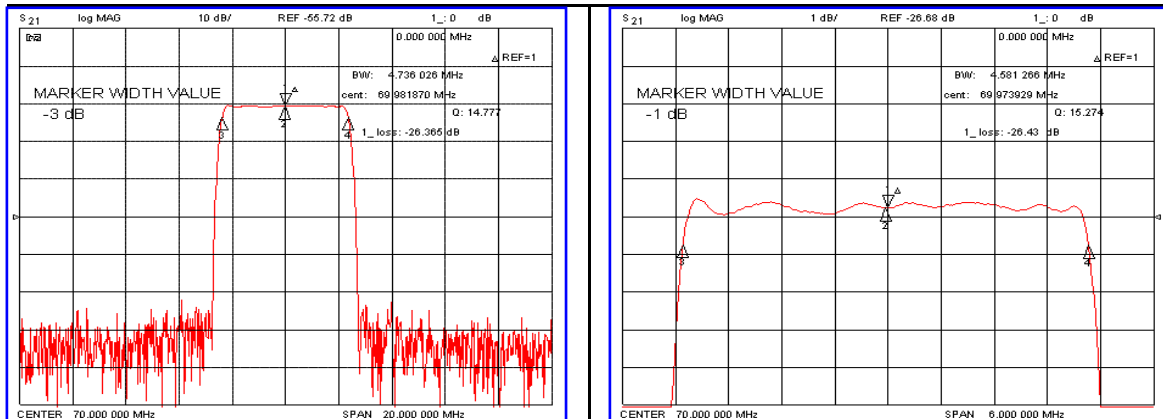


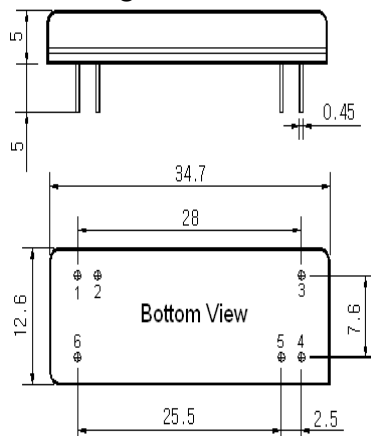
Typical Performance



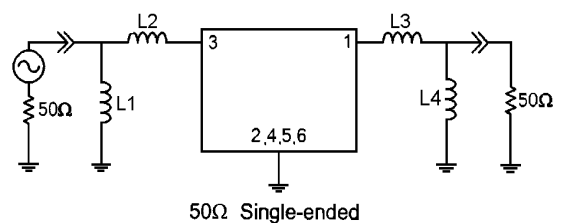
Specification

Parameter	Unit	Min.	Typ.	Max.
Center Frequency (Fc)	MHz	69.92	70.00	70.08
Insertion Loss	dB	-	26.40	28.00
1dB Bandwidth	MHz	-	4.58	-
3dB Bandwidth	MHz	4.60	4.73	-
40dB Bandwidth	MHz	-	5.37	5.50
Passband Ripple	dB	-	0.45	1.00
Group Delay Variation	nsec	-	70	120
Absolute Delay	µsec	-	5.31	-
Ultimate Attenuation At 2.7MHz away from ΔFc	dB	32	38	-
Substrate Material	-	112-LiTaO ₃		
Temperature Coefficient	ppm/°C	-20		

Package Dimension



Matching Configuration



L1 = L4=100nH, L2 = L3=5.6nH
 Source / Load Impedance = 50Ω
 Ambient Temperature = 25°C

Rev0. 070731

