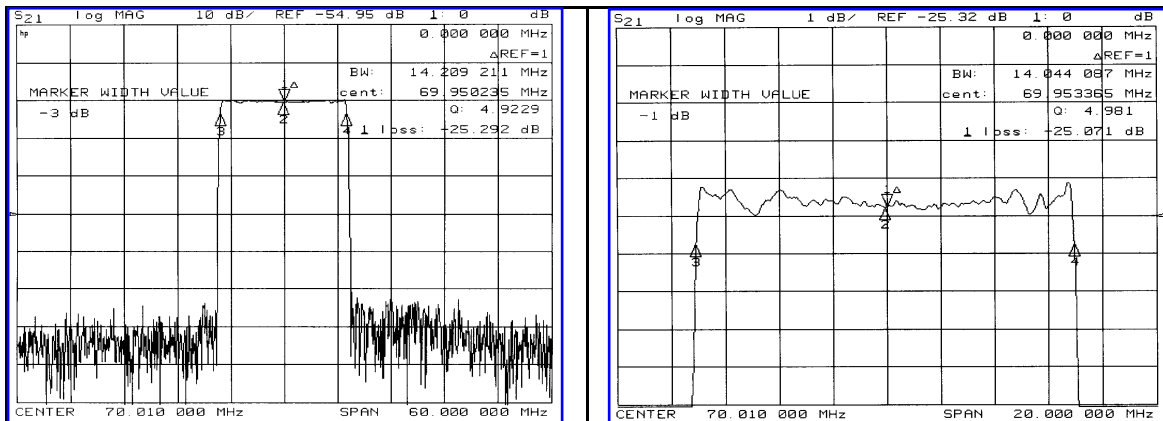


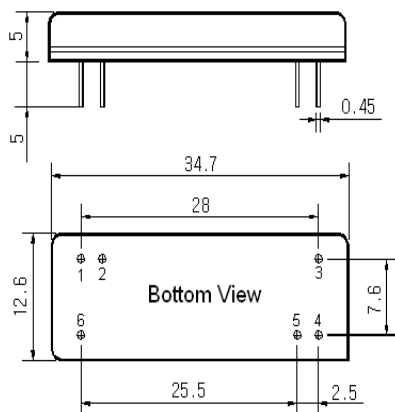
Typical Performance



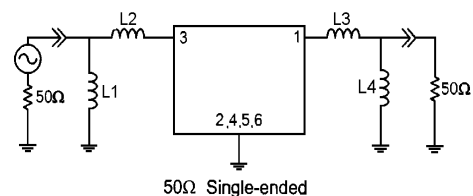
Specification

Parameter	Unit	Min.	Typ.	Max.
Center Frequency (Fc)	MHz	-	70.01	-
Insertion Loss	dB	-	26.00	27.50
1dB Bandwidth	MHz	-	14.04	-
3dB Bandwidth	MHz	-	14.20	-
40dB Bandwidth	MHz	-	14.97	15.10
Passband Ripple (Fc±6.765MHz)	dB	-	0.86	1.50
Group Delay Variation	nsec	-	95	150
Absolute Delay	μsec	-	3.76	-
Ultimate Attenuation	dB	50	53	-
Substrate Material	-	128-LiNbO ₃		
Temperature Coefficient	ppm/°C	-72		

Package Dimension



Matching Configuration



L1=L4=390nH, L2=L3=33nH
 Source / Load Impedance = 50Ω
 Ambient Temperature = 25°C

04/06/2006

