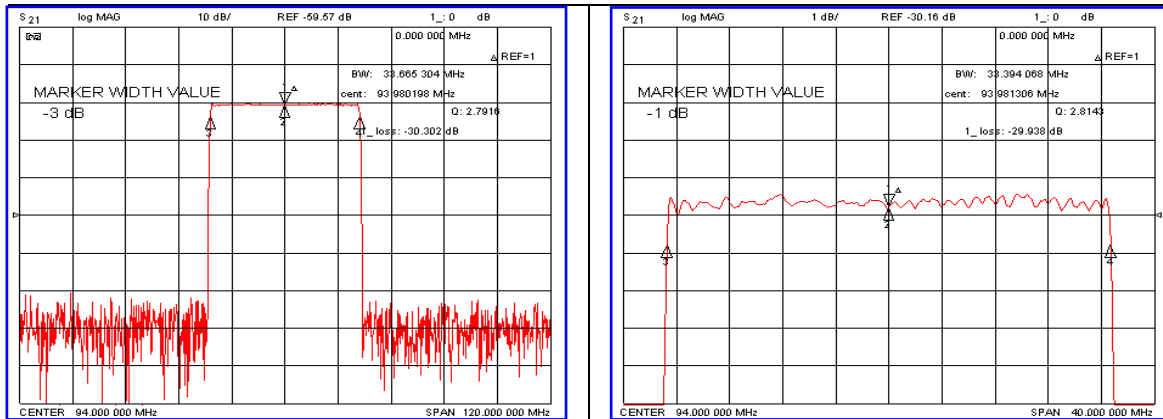


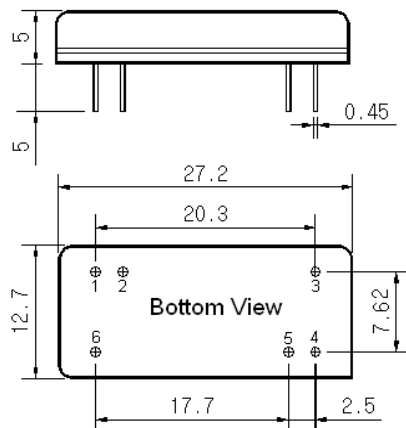
Typical Performance



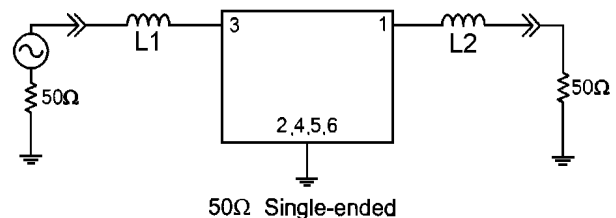
Specification

Parameter	Unit	Min.	Typ.	Max.
Center Frequency	MHz	93.90	94.00	94.10
Insertion Loss	dB	-	30.30	32.00
1dB Bandwidth	MHz	-	33.39	-
3dB Bandwidth	MHz	33.50	33.66	-
40dB Bandwidth	MHz	-	34.90	35.00
Passband Ripple	dB	-	0.55	1.00
Group Delay Variation	nsec	-	30	50
Absolute Delay	µsec	-	2.40	-
Ultimate Attenuation	dB	50	55	-
Substrate Material	-	128-LiNbO ₃		
Temperature Coefficient	ppm/°C ²	-72		

Package Dimension



Matching Configuration



L1=68nH, L2=68nH
 Source / Load Impedance = 50Ω
 Ambient Temperature = 25°C

Rev0. 070705

