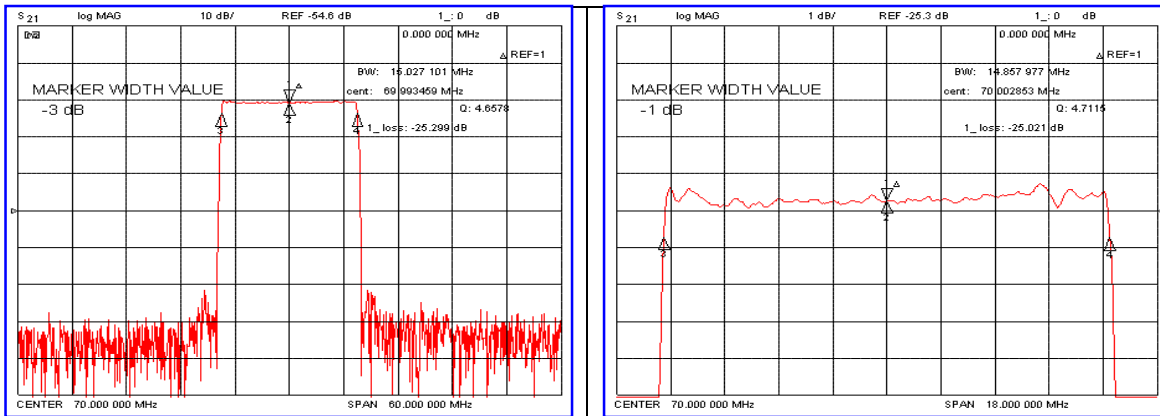


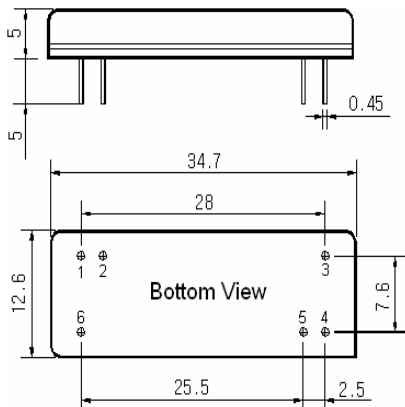
Typical Performance



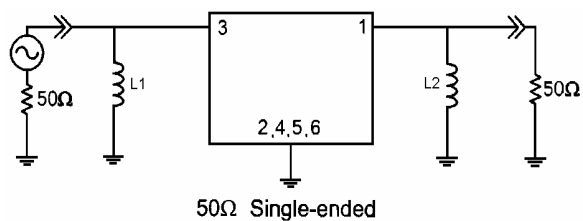
Specification

Parameter	Unit	Min.	Typ.	Max.
Center Frequency	Mhz	69.92	70.00	70.08
Insertion Loss	dB	-	25.30	27.00
1dB Bandwidth	Mhz	14.70	14.85	-
3dB Bandwidth	Mhz	-	15.02	-
20dB Bandwidth	Mhz	-	15.54	-
30dB Bandwidth	Mhz	-	15.69	-
35dB Bandwidth	Mhz	-	15.74	-
45dB Bandwidth	Mhz	-	15.82	16.00
Passband Ripple	dB	-	0.60	1.00
Group Delay Variation	nsec	-	65	100
Absolute Delay	μsec	-	3.73	-
Ultimate Attenuation	dB	-	52	-
Substrate Material	-	128-LN		
Temperature Coefficient	ppm/°C	-72		

Package Dimension



Matching Configuration



L1=L2=180nH
Source / Load Impedance = 50Ω
Ambient Temperature = 25°C

Rev 0. 070406

