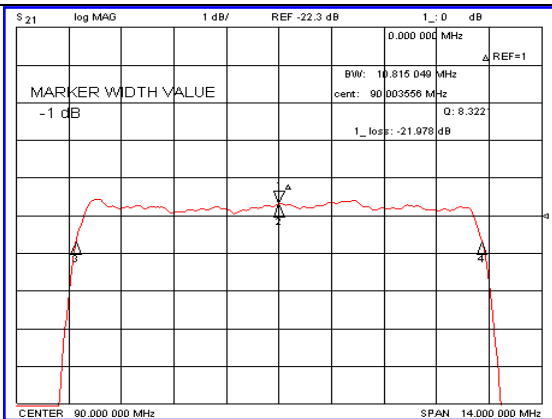
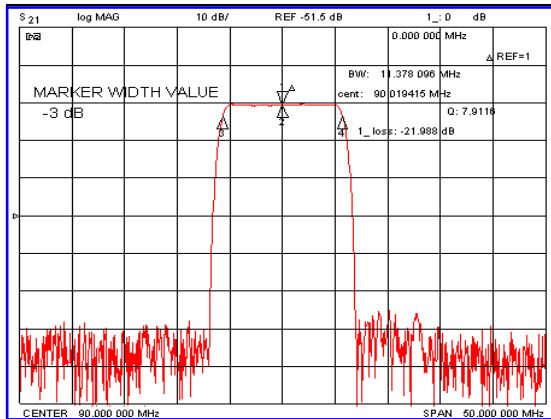


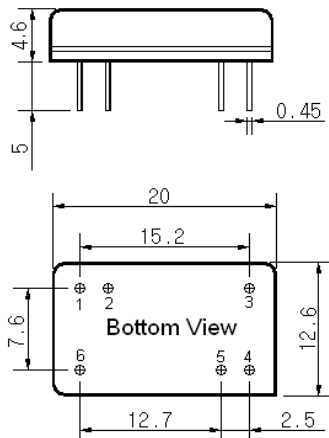
Typical Performance



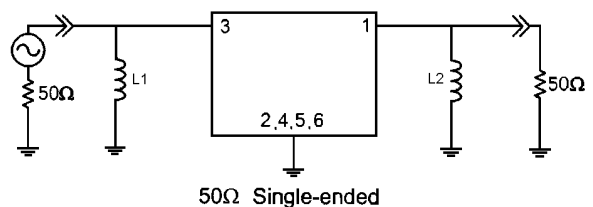
Specification

Parameter	Unit	Min.	Typ.	Max.
Center Frequency	MHz	89.92	90.00	90.08
Insertion Loss	dB	-	21.98	24.00
1dB Bandwidth	MHz	11.60	10.81	-
3dB Bandwidth	MHz	11.00	11.37	-
40dB Bandwidth	MHz	-	13.54	13.70
Passband Ripple	dB	-	0.45	1.00
Group Delay Variation	nsec	-	30	50
Absolute Delay	µsec	-	1.47	1.60
Retrun Loss at Fc	dB	6.10	7.00	-
Ultimate Attenuation	dB	50	55	-
Substrate Material	-	YZ-LiNbO ₃		
Temperature Coefficient	ppm/°C	-94		

Package Dimension



Matching Configuration



L1=270nH, L2=270nH
 Source / Load Impedance = 50Ω
 Ambient Temperature = 25°C

Rev0. 071031

