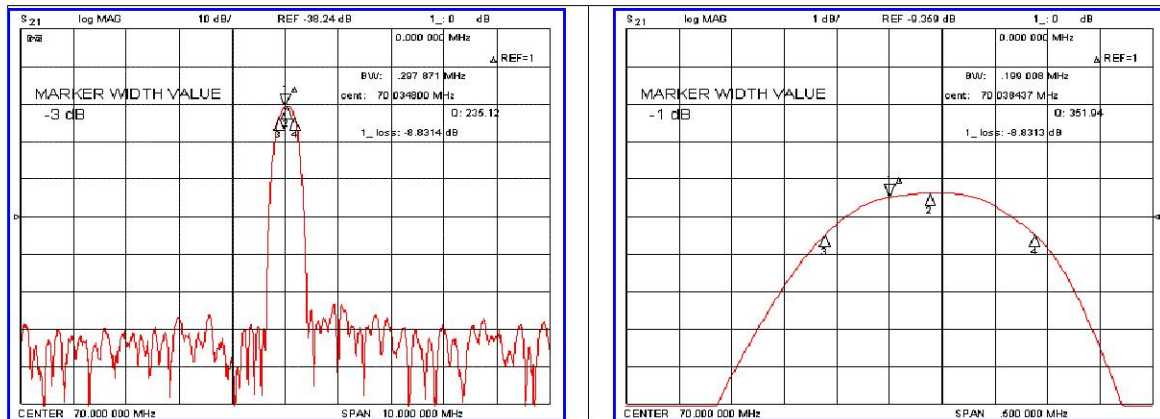


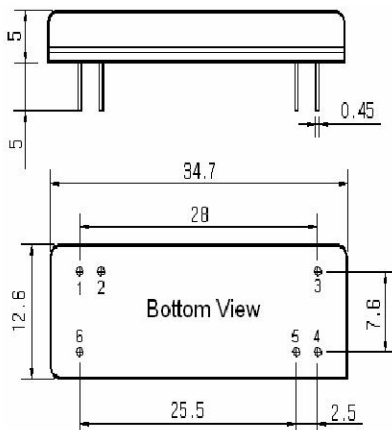
Typical Performance



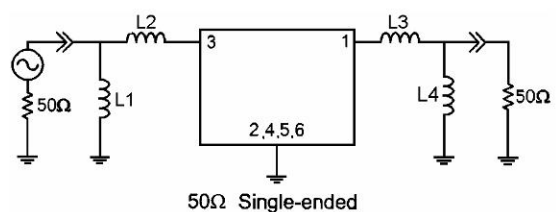
Specification

Parameter	Unit	Min.	Typ.	Max.
Center Frequency	MHz	69.94	70.00	70.06
Insertion Loss	dB	-	9.20	12.00
1dB Bandwidth	MHz	0.15	0.18	-
2dB Bandwidth	MHz	-	0.25	-
3dB Bandwidth	MHz	-	0.29	-
50dB Bandwidth	MHz	-	0.76	0.90
Passband Ripple	dB	-	0.40	1.00
Group Delay Variation($F_c \pm 0.1$ MHz)	nsec	-	250	350
Absolute Delay	μ sec	-	4.29	-
Ultimate Attenuation	dB	50	55	-
Substrate Material	-	Quartz		
Temperature Coefficient	ppm/ $^{\circ}$ C	-0.03		

Package Dimension



Matching Configuration



$L1=L4=56$ nH, $L2=68$ nH, $L3=82$ nH
 Source / Load Impedance = 50 Ω
 Ambient Temperature = 25 $^{\circ}$ C

Rev1. 071016

