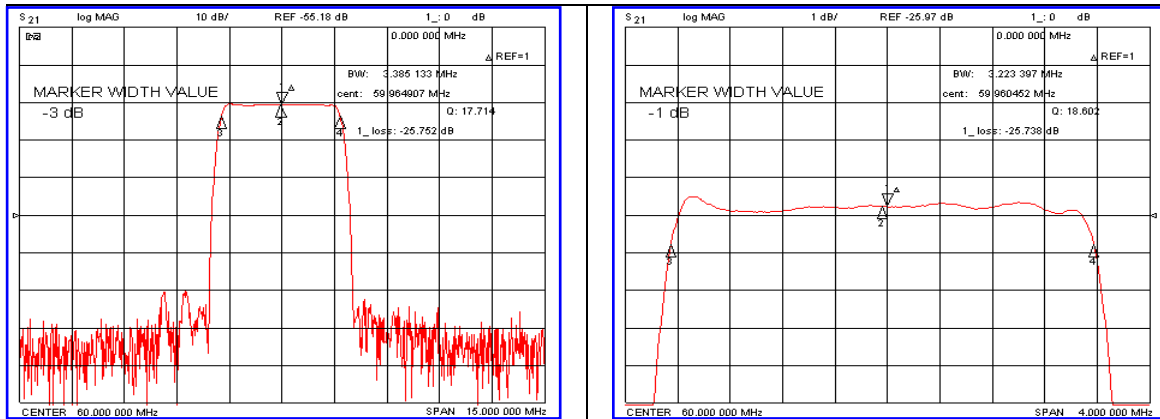


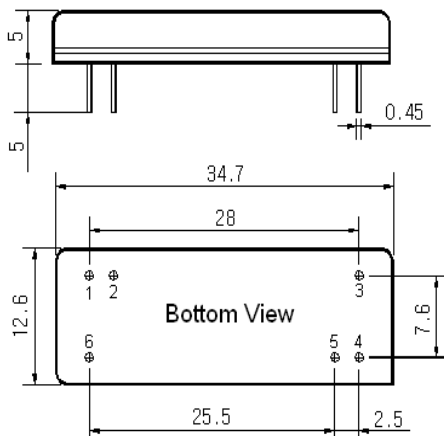
Typical Performance



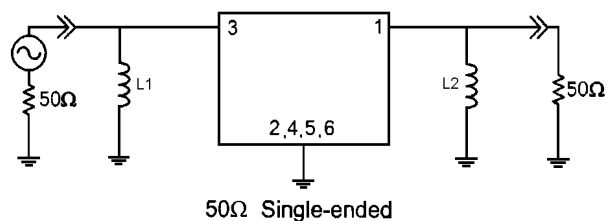
Specification

Parameter	Unit	Min.	Typ.	Max.
Center Frequency	MHz	59.92	60.00	60.08
Insertion Loss	dB	-	25.75	27.00
1dB Bandwidth	MHz	-	3.22	-
3dB Bandwidth	MHz	3.30	3.38	-
20dB Bandwidth	MHz	-	3.83	-
40dB Bandwidth	MHz	-	4.03	4.15
Passband Ripple	dB	-	0.44	1.00
Group Delay Variation	nsec	-	70	150
Absolute Delay	μsec	-	5.37	-
Ultimate Attenuation	dB	47	50	-
Substrate Material	-	112-LiTaO ₃		
Temperature Coefficient	ppm/°C	-20		

Package Dimension



Matching Configuration



L1=150nH, L2=150nH
 Source / Load Impedance = 50Ω
 Ambient Temperature = 25°C

Rev0. 071005

