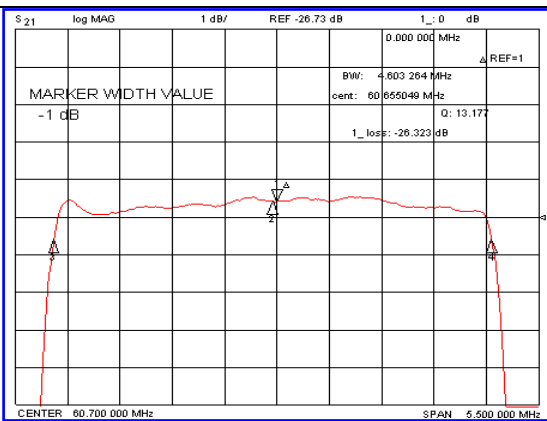
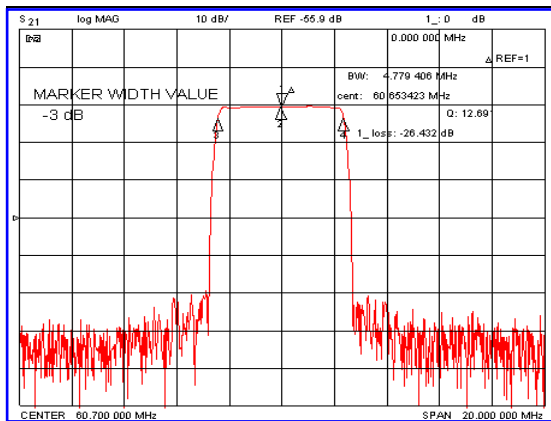


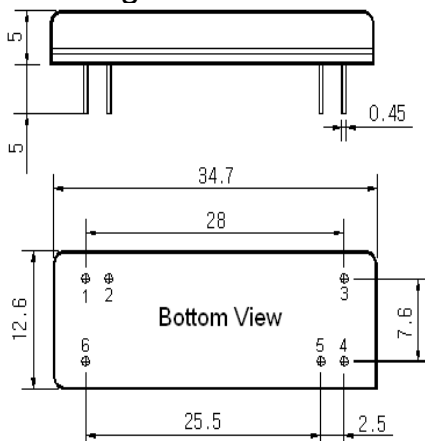
### Typical Performance



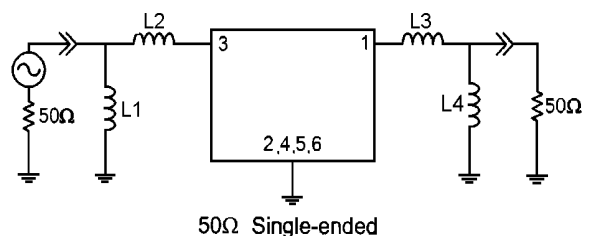
### Specification

Parameter	Unit	Min.	Typ.	Max.
Center Frequency	MHz	60.62	60.70	60.78
Insertion Loss	dB	-	26.43	28.00
1dB Bandwidth	MHz	-	4.60	-
3dB Bandwidth	MHz	4.70	4.77	-
20dB Bandwidth	MHz	-	5.22	-
40dB Bandwidth	MHz	-	5.41	5.55
Passband Ripple	dB	-	0.55	1.00
Group Delay Variation	nsec	-	70	150
Absolute Delay	μsec	-	5.37	-
Ultimate Attenuation	dB	47	50	-
Substrate Material	-	112-LiTaO <sub>3</sub>		
Temperature Coefficient	ppm/°C <sup>2</sup>	-20		

### Package Dimension



### Matching Configuration



L1=L4=120nH, L2=L3=47nH  
 Source / Load Impedance = 50Ω  
 Ambient Temperature = 25°C

Rev0. 071005

