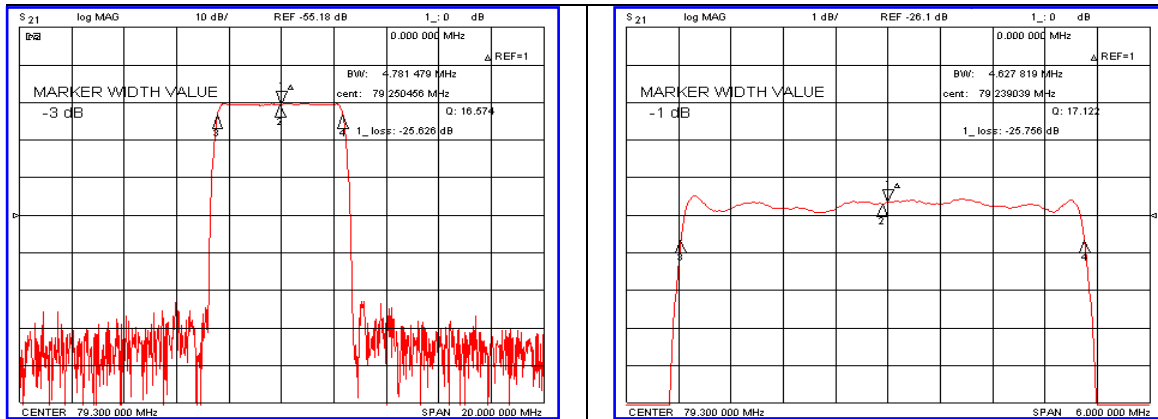


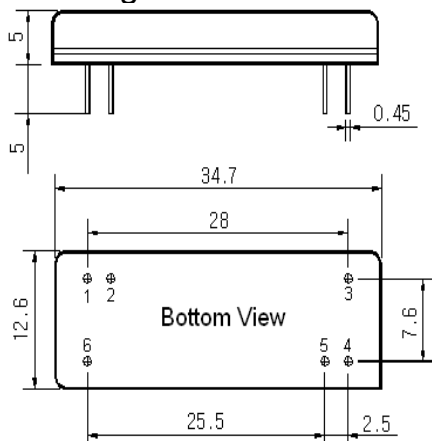
Typical Performance



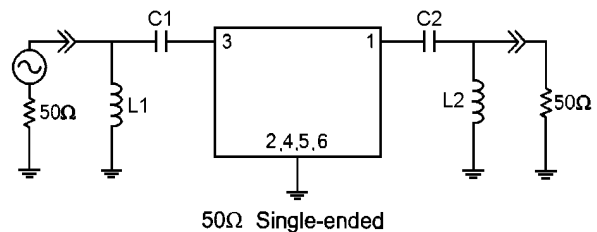
Specification

Parameter	Unit	Min.	Typ.	Max.
Center Frequency	MHz	79.22	79.30	79.38
Insertion Loss	dB	-	25.70	27.00
1dB Bandwidth	MHz	-	4.67	-
3dB Bandwidth	MHz	4.70	4.78	-
20dB Bandwidth	MHz	-	5.21	-
40dB Bandwidth	MHz	-	5.40	5.50
Passband Ripple	dB	-	0.50	1.00
Group Delay Variation	nsec	-	100	200
Absolute Delay	μsec	-	5.20	-
Ultimate Attenuation	dB	50	53	-
Substrate Material	-	112-LiTaO ₃		
Temperature Coefficient	ppm/°C ²	-20		

Package Dimension



Matching Configuration



L1=L2=82nH, C1=C2=390pF
 Source / Load Impedance = 50Ω
 Ambient Temperature = 25°C

Rev0. 071005

