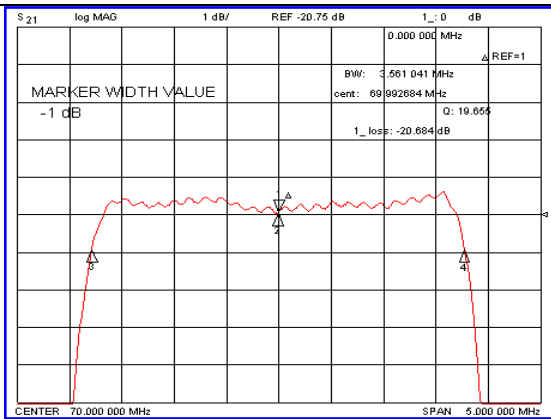
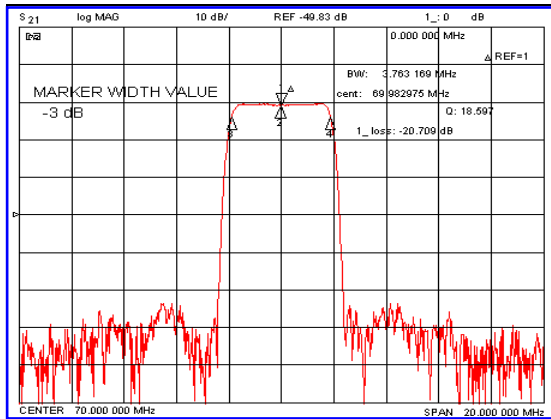


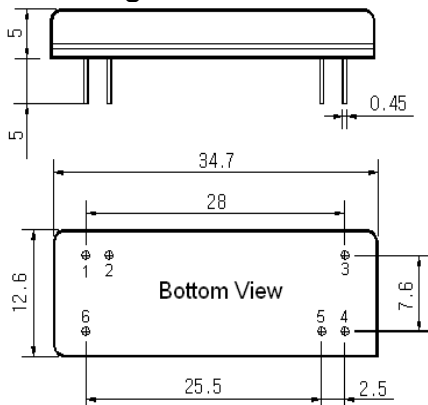
Typical Performance



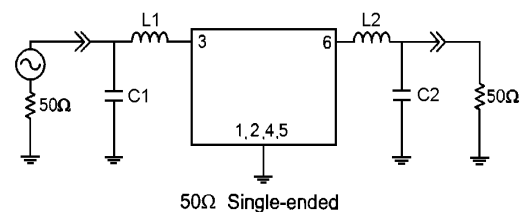
Specification

Parameter	Unit	Min.	Typ.	Max.
Center Frequency	MHz	69.92	70.00	70.08
Insertion Loss	dB	-	20.70	23.00
1dB Bandwidth	MHz	3.45	3.56	-
3dB Bandwidth	MHz	-	3.76	-
25dB Bandwidth	MHz	-	4.42	-
40dB Bandwidth	MHz	-	4.62	4.75
Passband Ripple	dB	-	0.56	1.00
Group Delay Variation	nsec	-	150	250
Absolute Delay	μsec	-	3.27	-
Ultimate Attenuation At 2.3MHz away from ΔFc	dB	25	32	-
Substrate Material	-	112-LiTaO ₃		
Temperature Coefficient	ppm/°C	-20		

Package Dimension



Matching Configuration



L1= L2=68nH, C1=91pF, C2=110pF
 Source / Load Impedance = 50Ω
 Ambient Temperature = 25°C

Rev0. 070829

