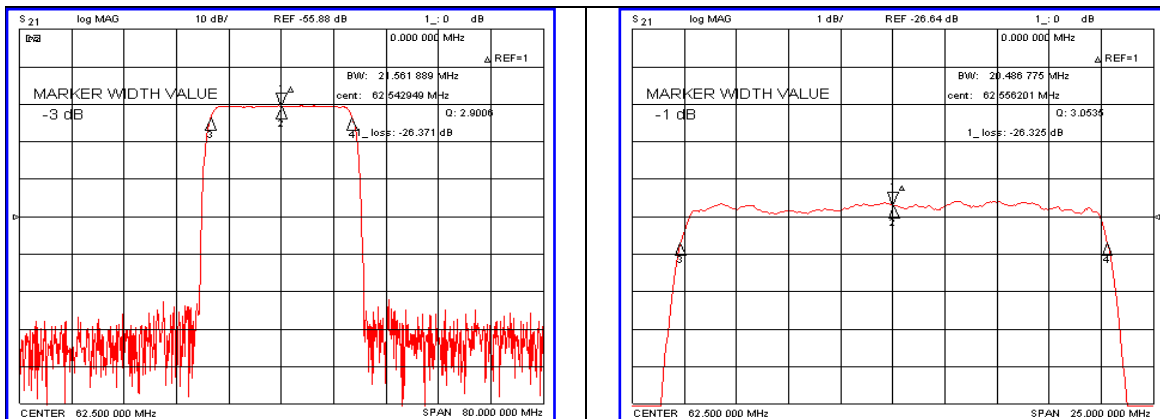


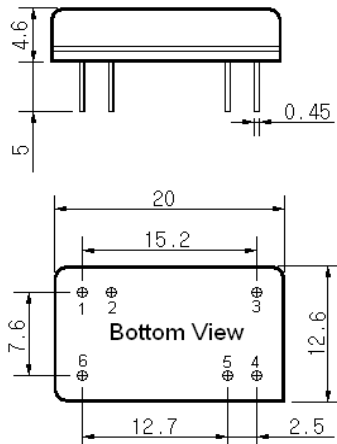
### Typical Performance



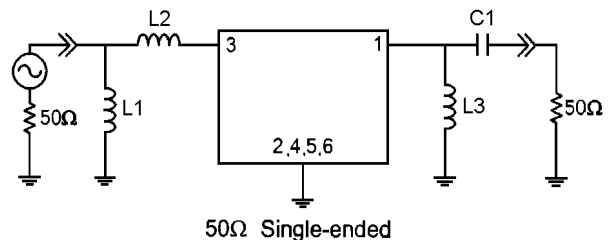
### Specification

Parameter	Unit	Min.	Typ.	Max.
Center Frequency	MHz	-	62.50	-
Insertion Loss	dB	-	26.40	28.00
1dB Bandwidth	MHz	-	20.46	-
3dB Bandwidth	MHz	21.40	21.56	-
15dB Bandwidth	MHz	-	23.65	23.80
50dB Bandwidth	MHz	-	25.01	-
Passband Ripple( $F_c \pm 9.22$ MHz)	dB	-	0.45	1.00
Group Delay Variation( $F_c \pm 9.22$ MHz)	nsec	-	30	50
Absolute Delay	$\mu$ sec	-	1.61	-
Ultimate Attenuation	dB	50	52	-
Substrate Material	-	128-LiNbO <sub>3</sub>		
Temperature Coefficient	ppm/ $^{\circ}$ C	-72		

### Package Dimension



### Matching Configuration



L1=180nH, L2=L3=220nH, C1=39pF  
 Source / Load Impedance = 50 $\Omega$   
 Ambient Temperature = 25 $^{\circ}$ C

Rev0. 080116

