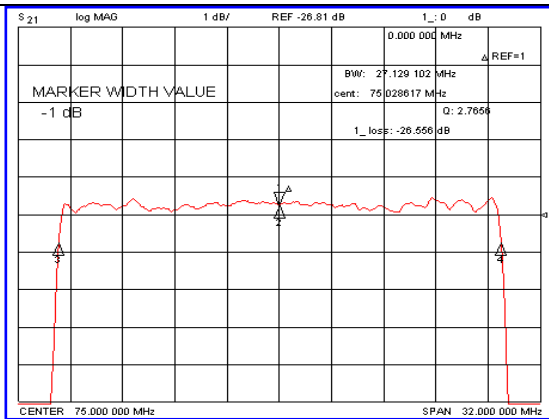
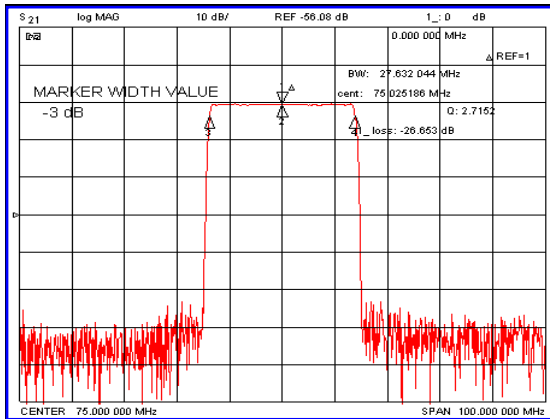


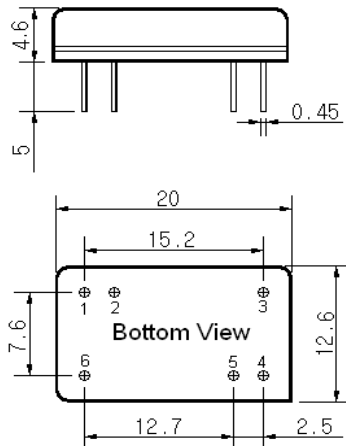
### Typical Performance



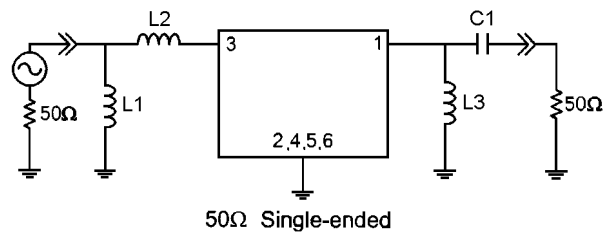
### Specification

Parameter	Unit	Min.	Typ.	Max.
Center Frequency	MHz	-	75.00	-
Insertion Loss	dB	-	26.65	28.00
1dB Bandwidth	MHz	-	27.12	-
3dB Bandwidth	MHz	27.50	27.63	-
30 Bandwidth	MHz	-	29.42	29.52
50dB Bandwidth	MHz	-	29.88	-
Passband Ripple( $F_c \pm 12.48$ MHz)	dB	-	0.40	1.00
Group Delay Variation( $F_c \pm 12.48$ MHz)	nsec	-	23.55	-
Absolute Delay	$\mu$ sec	-	1.64	-
Ultimate Attenuation	dB	-	52	-
Substrate Material	-	128-LiNbO <sub>3</sub>		
Temperature Coefficient	ppm/ $^{\circ}$ C	-72		

### Package Dimension



### Matching Configuration



L1=L3=150nH, L2=120nH, C1=47pF  
 Source / Load Impedance = 50Ω  
 Ambient Temperature = 25°C

Rev1. 080123

