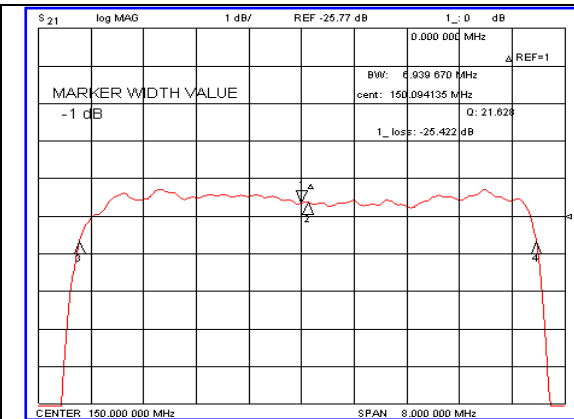
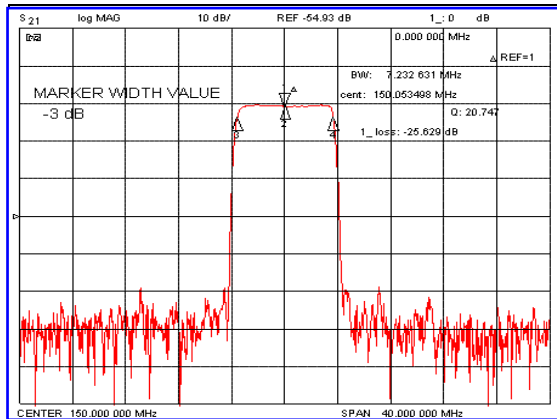


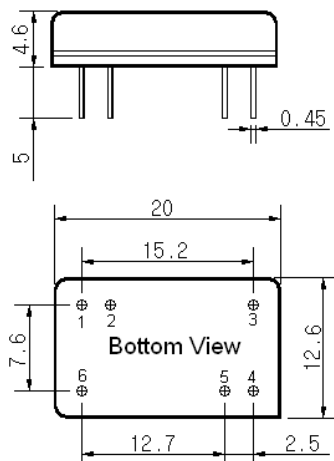
### Typical Performance



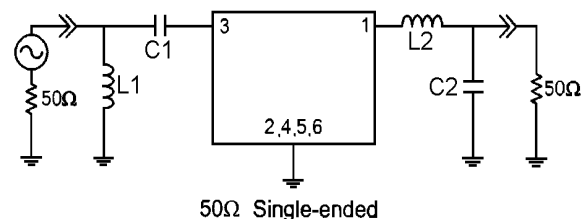
### Specification

Parameter	Unit	Min.	Typ.	Max.
Center Frequency	MHz	149.85	150.00	150.15
Insertion Loss	dB	-	25.70	27.00
1dB Bandwidth	MHz	6.50	6.93	-
3dB Bandwidth	MHz	-	6.77	-
40dB Bandwidth	MHz	-	8.39	8.50
Passband Ripple	dB	-	0.65	1.00
Group Delay Variation	nsec	-	100	200
Absolute Delay	μsec	-	2.01	-
Ultimate Attenuation	dB	-	50	-
Substrate Material	-	112-LiTaO <sub>3</sub>		
Temperature Coefficient	ppm/°C	-20		

### Package Dimension



### Matching Configuration



L1=15nH, L2=12nH, C1=56pF, C2=56pF  
 Source / Load Impedance = 50Ω  
 Ambient Temperature = 25°C

Rev1.071214

