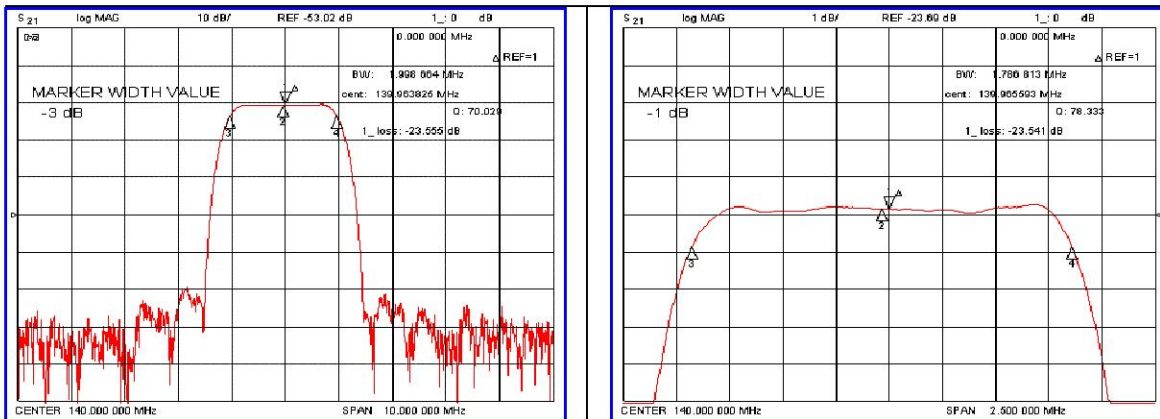


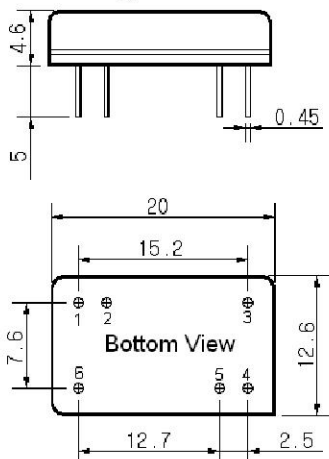
Typical Performance



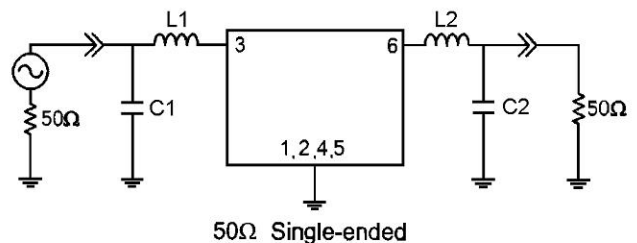
Specification

Parameter	Unit	Min.	Typ.	Max.
Center Frequency (Fc)	MHz	139.90	140.0	140.10
Insertion Loss	dB	-	23.60	25.00
1dB Bandwidth	MHz	-	1.78	-
3dB Bandwidth	MHz	1.90	1.99	-
45dB Bandwidth	MHz	-	2.86	3.00
Passband Ripple	dB	-	0.40	1.00
Group Delay Variation	nsec	-	70	120
Absolute Delay	µsec	-	2.43	-
Ultimate Attenuation	dB	48	50	-
Substrate Material	-	Quartz		
Temperature Coefficient	ppm/°C	-0.038		

Package Dimension



Matching Configuration



L1=47nH, L2=39nH, C1=39pF, C2=30pF
 Source / Load Impedance = 50Ω
 Ambient Temperature = 25°C

Rev0. 070504

