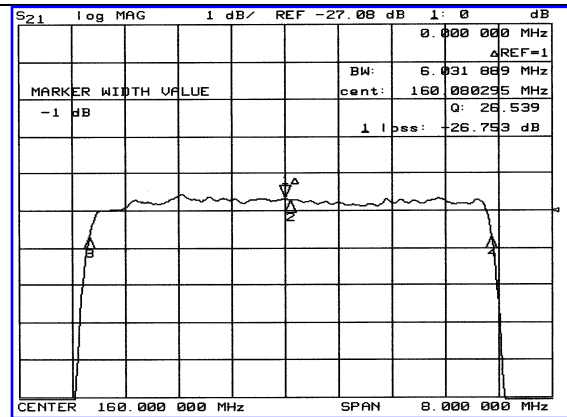
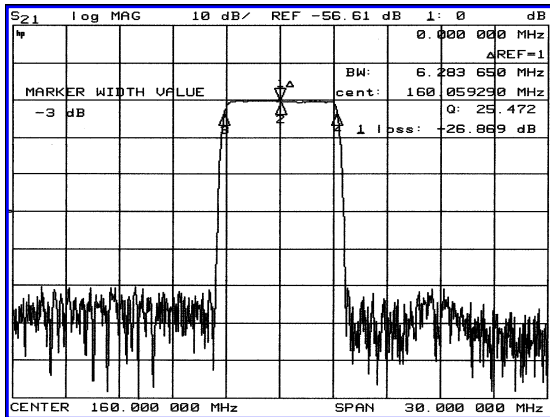


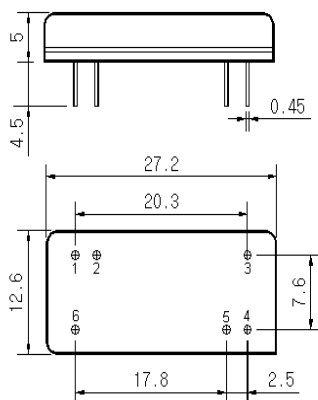
Typical Performance



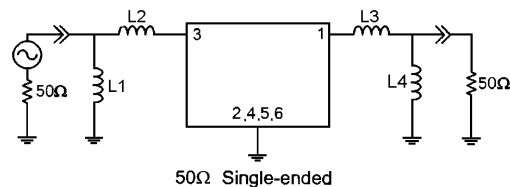
Specification

Parameter	Unit	Min.	Typ.	Max.
Center Frequency	MHz	159.85	160.00	160.15
Insertion Loss	dB	-	26.50	27.50
1dB Bandwidth	MHz	-	6.03	-
3dB Bandwidth	MHz	6.20	6.28	-
40dB Bandwidth	MHz	-	7.16	7.30
45dB Bandwidth	MHz	-	7.20	-
Passband Ripple	DB	-	0.65	1.00
Group Delay Variation	nsec	-	80	150
Absolute Delay	µsec	-	2.6	-
Ultimate Attenuation	dB	45	50	-
Substrate Material	-	Quartz		
Temperature Coefficient	ppm/°C	-0.03		

Package Dimension



Matching Configuration



L1=22nH, L2=22nH, L3=18nH, L4=18nH
Source / Load Impedance = 50Ω
Ambient Temperature = 25°C

Rev0. 080111

