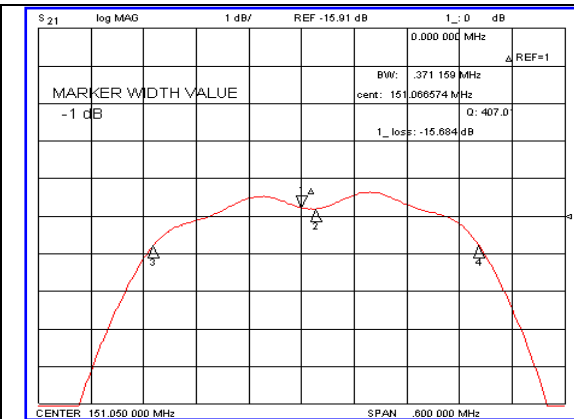
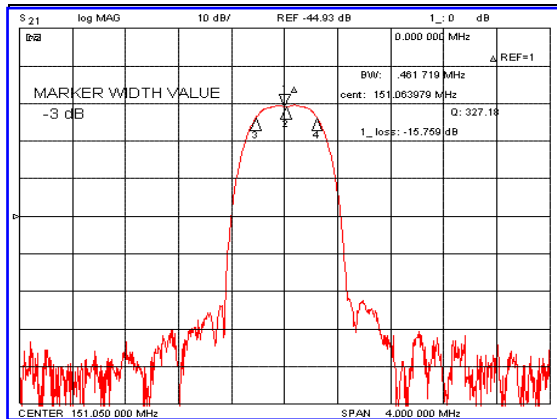


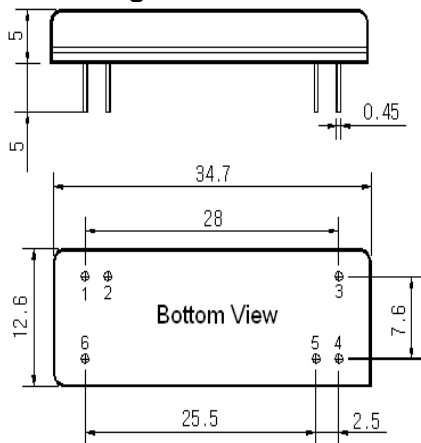
Typical Performance



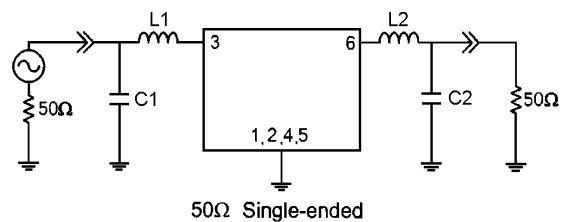
Specification

Parameter	Unit	Min.	Typ.	Max.
Center Frequency	MHz	150.99	151.05	151.65
Insertion Loss	dB	-	15.80	18.00
1dB Bandwidth	MHz	0.28	0.37	-
3dB Bandwidth	MHz	-	0.46	-
40dB Bandwidth	MHz	-	0.89	0.95
Passband Ripple	dB	-	0.50	1.00
Group Delay Variation	nsec	-	450	-
Absolute Delay	μsec	-	4.01	-
Ultimate Attenuation	dB	48	52	-
Substrate Material	-	Quartz		
Temperature Coefficient	ppm/°C	-0.03		

Package Dimension



Matching Configuration



L1=12nH, L2=12nH, C1=C2=47pF
 Source / Load Impedance = 50Ω
 Ambient Temperature = 25°C

Rev0. 071005

