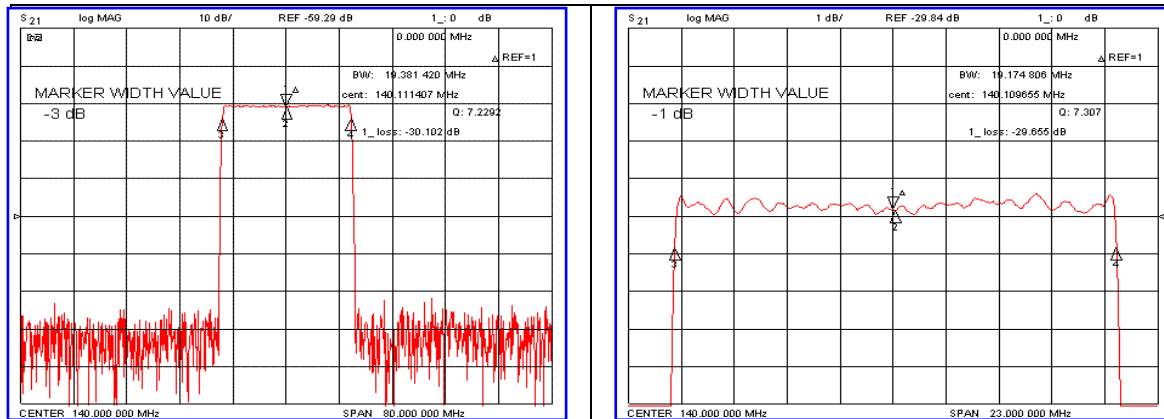


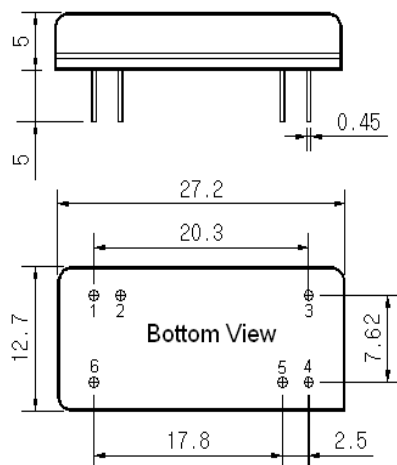
### Typical Performance



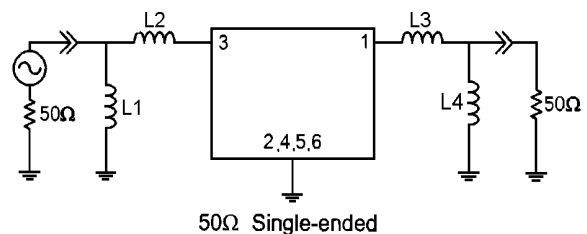
### Specification

Parameter	Unit	Min.	Typ.	Max.
Center Frequency	MHz	-	140.00	-
Insertion Loss	dB	-	30.14	31.50
1dB Bandwidth	MHz	19.00	19.16	-
3dB Bandwidth	MHz	-	19.38	-
40dB Bandwidth	MHz	-	20.32	20.45
Passband Ripple	dB	-	0.56	1.00
Group Delay Variation	nsec	-	50	100
Absolute Delay	μsec	-	3.66	-
Ultimate Attenuation	dB	50	55	-
Substrate Material	-	112-LiTaO <sub>3</sub>		
Temperature Coefficient	ppm/°C	-20		

### Package Dimension



### Matching Configuration



L1=L4=24nH, L2=5.6nH, L3=6.8nH  
 Source / Load Impedance = 50Ω  
 Ambient Temperature = 25°C

Rev1. 071029

