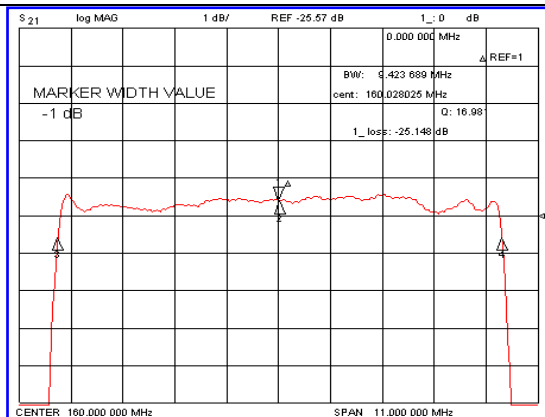
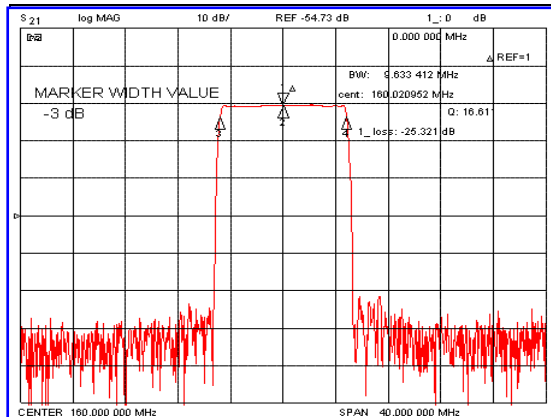


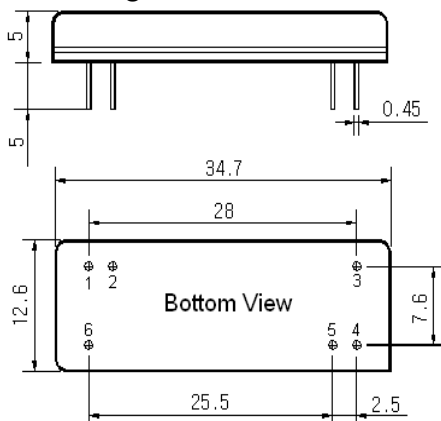
### Typical Performance



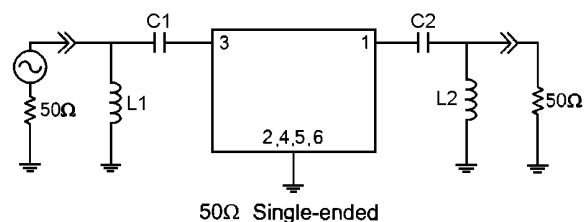
### Specification

Parameter	Unit	Min.	Typ.	Max.
Center Frequency (Fc)	MHz	159.90	160.00	160.10
Insertion Loss	dB	-	25.50	27.00
1dB Bandwidth	MHz	-	9.42	-
3dB Bandwidth	MHz	9.50	9.63	-
40dB Bandwidth	MHz	-	10.47	-
50dB Bandwidth	MHz	-	10.53	10.60
Passband Ripple	dB	-	0.60	1.00
Group Delay Variation	nsec	-	50	100
Absolute Delay	µsec	-	3.72	-
Ultimate Attenuation	dB	50	52	-
Substrate Material	-	112-LiTaO <sub>3</sub>		
Temperature Coefficient	ppm/°C	-20		

### Package Dimension



### Matching Configuration



L1=L2=22nH, C1=100pF, C2=120pF  
 Source / Load Impedance = 50Ω  
 Ambient Temperature = 25°C

Rev0. 080124

