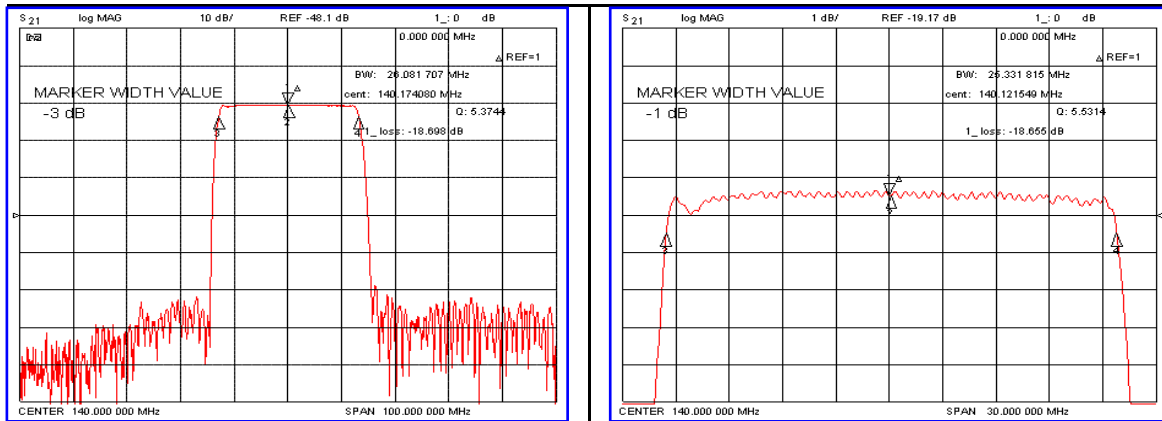


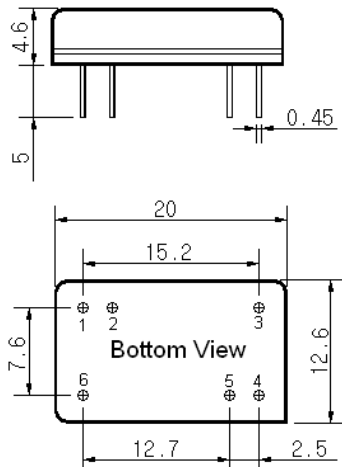
Typical Performance



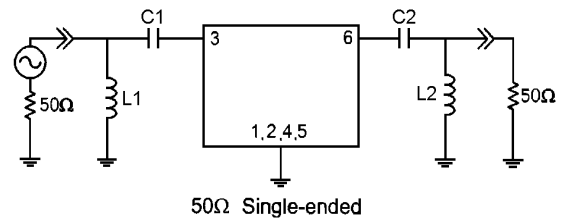
Specification

| Parameter | Unit | Min. | Typ. | Max. |
|-------------------------|--------|-----------------------|--------|--------|
| Center Frequency | MHz | 139.80 | 140.00 | 140.20 |
| Insertion Loss | dB | - | 18.70 | 20.50 |
| 1dB Bandwidth | MHz | 24.80 | 25.33 | - |
| 3dB Bandwidth | MHz | 25.80 | 26.08 | - |
| 40dB Bandwidth | MHz | - | 29.65 | 30.50 |
| Passband Ripple | dB | - | 0.65 | 1.00 |
| Group Delay Variation | nsec | - | 60 | 120 |
| Absolute Delay | μsec | - | 0.93 | - |
| Ultimate Attenuation | dB | 40 | 48 | - |
| Substrate Material | - | YZ-LiNbO ₃ | | |
| Temperature Coefficient | ppm/°C | -86 | | |

Package Dimension



Matching Configuration



L1=39nH, L2=47nH C1=47pF, C2=51pF
 Source / Load Impedance = 50Ω
 Ambient Temperature = 25°C

Rev 0. 070503

