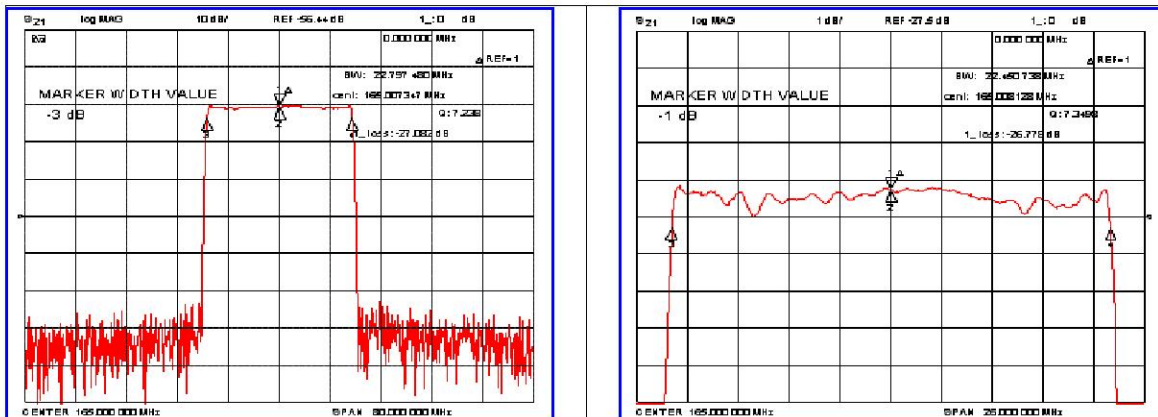


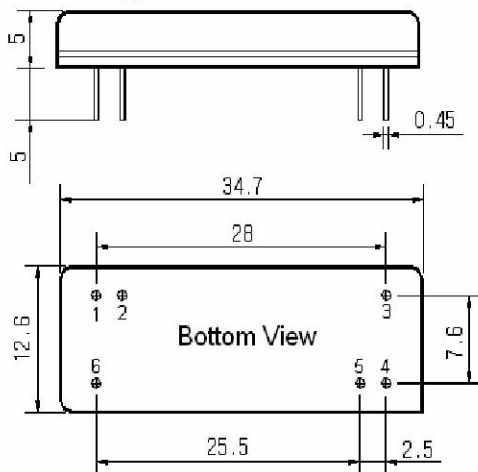
### Typical Performance



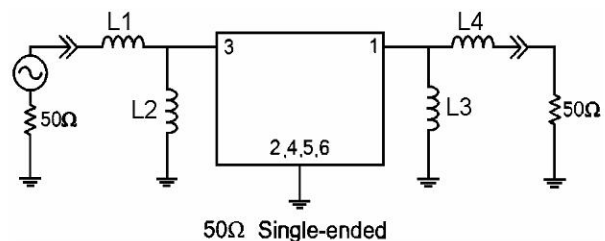
### Specification

Parameter	Unit	Min.	Typ.	Max.
Center Frequency	MHz	164.90	165.00	165.10
Insertion Loss	dB	-	27.00	28.50
1dB Bandwidth	MHz	22.40	22.44	-
3dB Bandwidth	MHz	-	22.79	-
45dB Bandwidth	MHz	-	24.22	24.40
Passband Ripple	dB	-	0.82	1.00
Group Delay Variation	nsec	-	50	100
Absolute Delay	µsec	-	2.80	-
Ultimate Attenuation	dB	50	52	-
Substrate Material	-	112-LiTaO <sub>3</sub>		
Temperature Coefficient	ppm/°C	-20		

### Package Dimension



### Matching Configuration



L1=L4=56nH, L2=39nH, L3=47nH  
 Source / Load Impedance = 50Ω  
 Ambient Temperature = 25°C

Rev0. 080321

