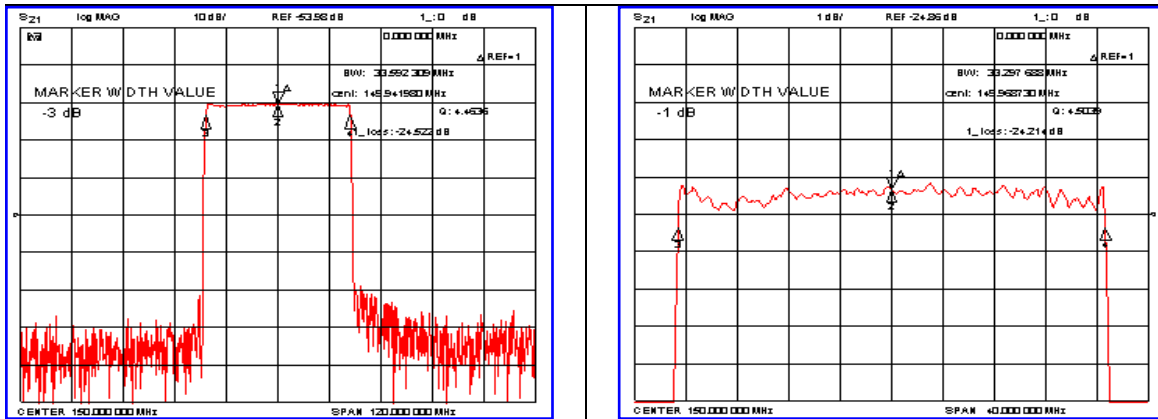


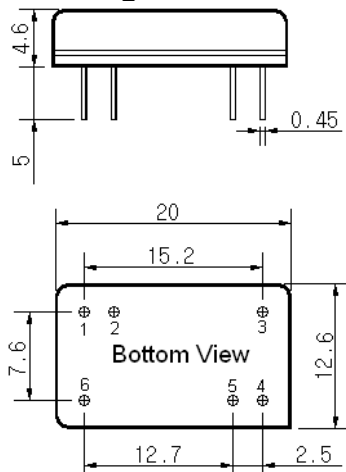
Typical Performance



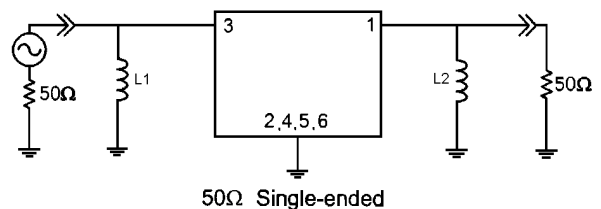
Specification

Parameter	Unit	Min.	Typ.	Max.
Center Frequency	MHz	149.85	150.00	150.15
Insertion Loss	dB	-	24.60	26.00
1dB Bandwidth	MHz	33.20	33.29	-
3dB Bandwidth	MHz	-	33.59	-
40dB Bandwidth	MHz	-	34.97	35.02
Passband Ripple	dB	-	0.79	1.00
Group Delay Variation	nsec	-	32	50
Absolute Delay	µsec	-	2.14	-
Ultimate Attenuation	dB	47	50	-
Substrate Material	-	128-LiNbO ₃		
Temperature Coefficient	ppm/°C	-72		

Package Dimension



Matching Configuration



L1=47nH, L2=56nH
 Source / Load Impedance = 50Ω
 Ambient Temperature = 25°C

Rev0. 080415

