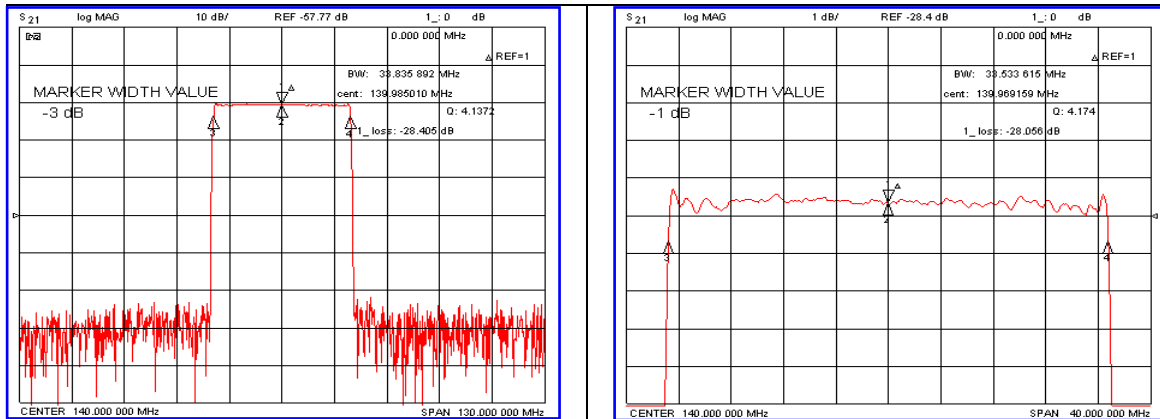


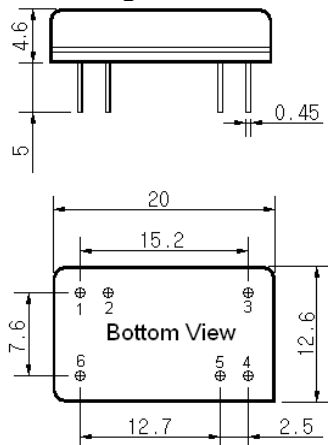
Typical Performance



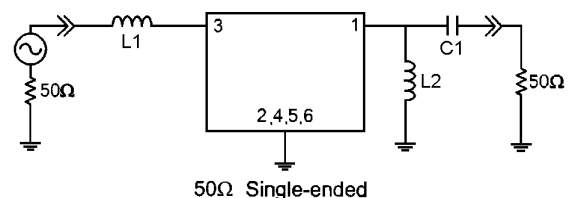
Specification

Parameter	Unit	Min.	Typ.	Max.
Center Frequency	MHz	139.80	140.00	140.20
Insertion Loss	dB	-	28.40	30.00
1dB Bandwidth	MHz	-	33.53	-
3dB Bandwidth	MHz	33.70	33.83	-
20dB Bandwidth	MHz	-	34.78	34.90
50dB Bandwidth	MHz	-	35.42	-
Passband Ripple	dB	-	0.68	1.00
Group Delay Variation	nsec	-	30	50
Absolute Delay	μsec	-	2.10	-
Ultimate Attenuation	dB	50	52	-
Substrate Material	-	128-LiNbO ₃		
Temperature Coefficient	ppm/°C	-72		

Package Dimension



Matching Configuration



L1=18nH, L2=47nH, C1=51pF
 Source / Load Impedance = 50Ω
 Ambient Temperature = 25°C

Rev0. 071119

