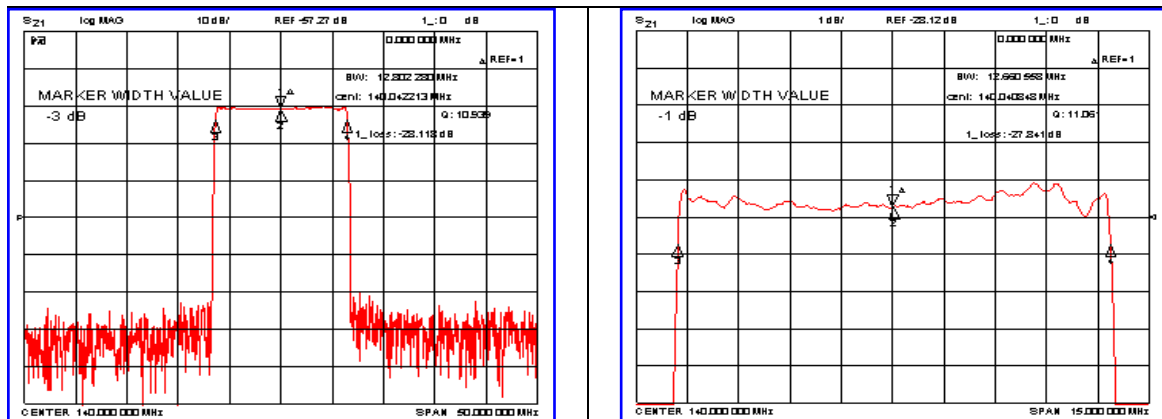


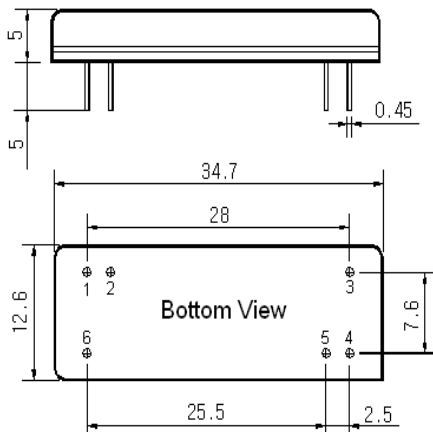
Typical Performance



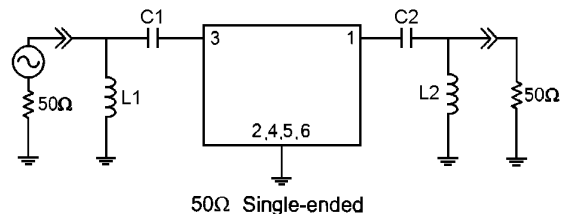
Specification

Parameter	Unit	Min.	Typ.	Max.
Center Frequency	MHz	139.85	140.00	140.15
Insertion Loss	dB	-	28.20	30.00
1dB Bandwidth	MHz	-	12.66	-
3dB Bandwidth	MHz	13.70	12.80	-
20dB Bandwidth	MHz	-	13.23	-
40dB Bandwidth	MHz	-	13.43	13.55
Passband Ripple	dB	-	0.92	1.20
Group Delay Variation	nsec	-	60	120
Absolute Delay	µsec	-	4.74	-
Ultimate Attenuation	dB	48	50	-
Substrate Material	-	112-LiTaO ₃		
Temperature Coefficient	ppm/°C	-20		

Package Dimension



Matching Configuration



L1=22nH, L2=27nH, C1=C2=270pF
 Source / Load Impedance = 50Ω
 Ambient Temperature = 25°C

Rev0. 080313

