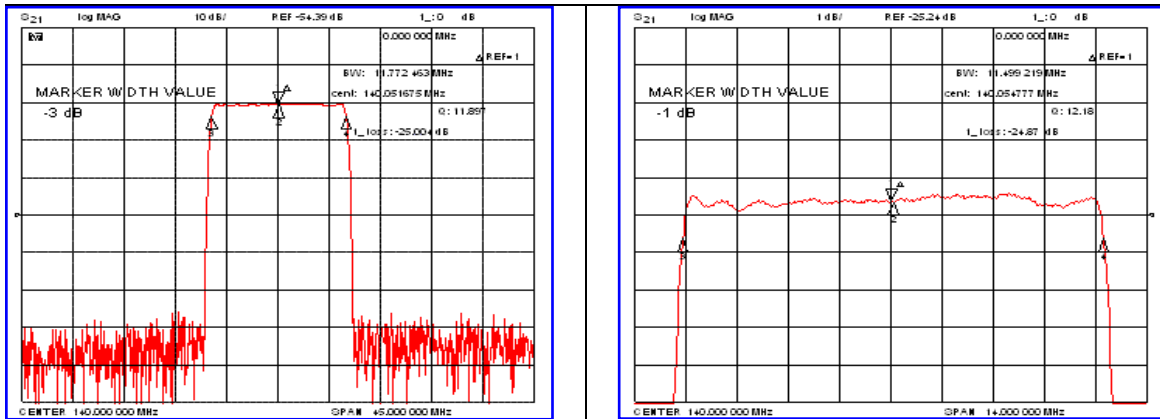


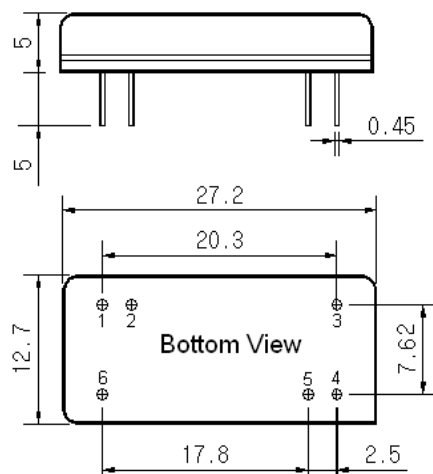
### Typical Performance



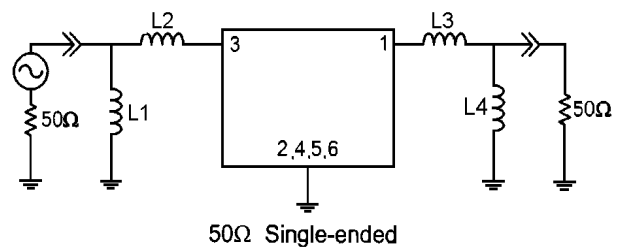
### Specification

Parameter	Unit	Min.	Typ.	Max.
Center Frequency	MHz	139.85	140.00	140.15
Insertion Loss	dB	-	25.00	26.50
1dB Bandwidth	MHz	11.40	11.49	-
3dB Bandwidth	MHz	-	11.77	-
50dB Bandwidth	MHz	-	12.98	13.10
Passband Ripple	dB	-	0.50	1.00
Group Delay Variation	nsec	-	50	100
Absolute Delay	usec	-	3.58	-
Ultimate Attenuation	dB	50	55	-
Substrate Material	-	112-LiTaO <sub>3</sub>		
Temperature Coefficient	ppm/°C	-20		

### Package Dimension



### Matching Configuration



L1=22nH, L2=2.7nH, L3=3.9nH, L4=27nH  
 Source / Load Impedance = 50Ω  
 Ambient Temperature = 25°C

Rev.0 080919

