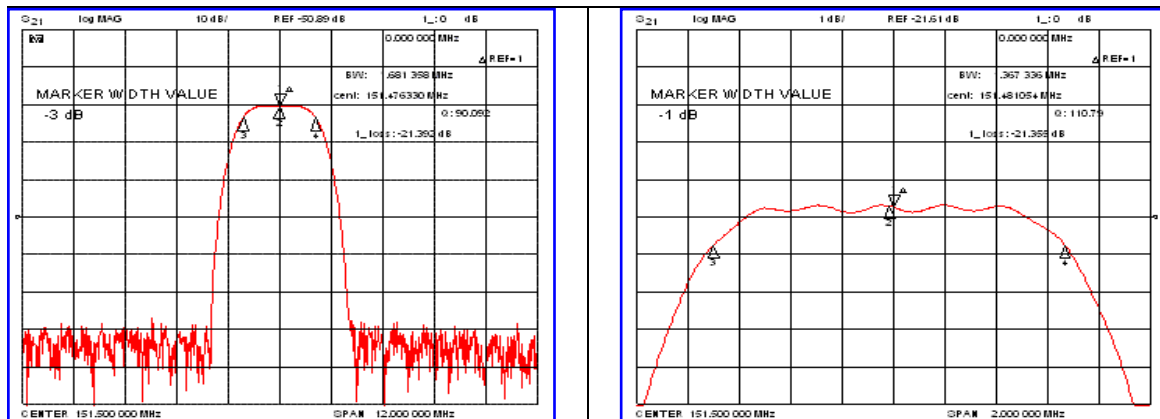


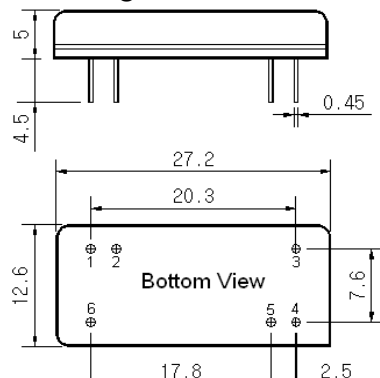
Typical Performance



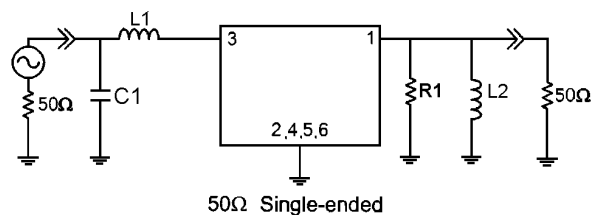
Specification

Parameter	Unit	Min.	Typ.	Max.
Center Frequency	MHz	151.40	151.50	151.60
Insertion Loss	dB	-	21.50	24.00
1dB Bandwidth	MHz	1.20	1.36	-
3dB Bandwidth	MHz	1.40	1.68	-
20dB Bandwidth	MHz	-	2.60	2.90
40dB Bandwidth	MHz	-	3.02	3.20
50dB Bandwidth	MHz	-	3.12	3.40
Return Loss 1dB Bandwidth	dB	6	8	-
Passband Ripple	dB	-	0.40	1.00
Group Delay Variation	nsec	-	120	200
Absolute Delay	usec	-	2.10	-
Ultimate Attenuation	dB	50	55	-
Substrate Material	-	Quartz		
Temperature Coefficient	ppm/°C	-0.03		

Package Dimension



Matching Configuration



L1=47nH, L2=18nH, C1=39pF, R1=43 Ω
 Source / Load Impedance = 50Ω
 Ambient Temperature = 25°C

Rev.0 081210

