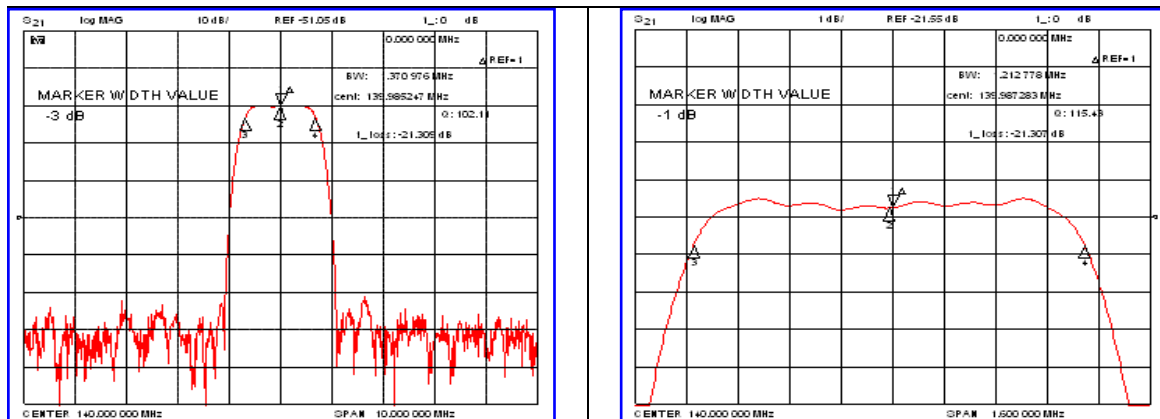


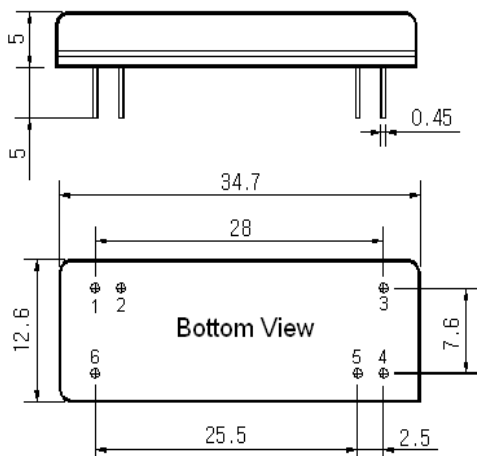
Typical Performance



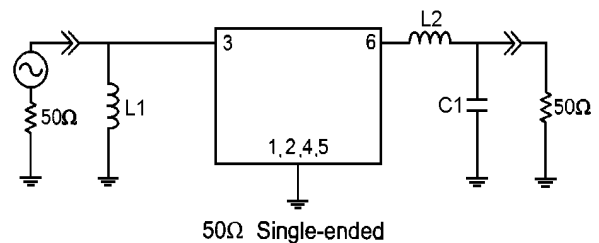
Specification

Parameter	Unit	Min.	Typ.	Max.
Center Frequency	MHz	139.90	140.00	140.10
Insertion Loss	dB	-	21.50	24.00
1dB Bandwidth	MHz	-	1.21	-
3dB Bandwidth	MHz	1.30	1.37	-
40dB Bandwidth	MHz	-	2.07	2.20
Passband Ripple	dB	-	0.40	1.00
Group Delay Variation	nsec	-	200	300
Absolute Delay	usec	-	2.99	-
Ultimate Attenuation	dB	48	52	-
Substrate Material	-	Quartz		
Temperature Coefficient	ppm/°C	-0.03		

Package Dimension



Matching Configuration



L1=22nH, L2=56nH, C1=68pF
 Source / Load Impedance = 50Ω
 Ambient Temperature = 25°C

Rev.0 080918

