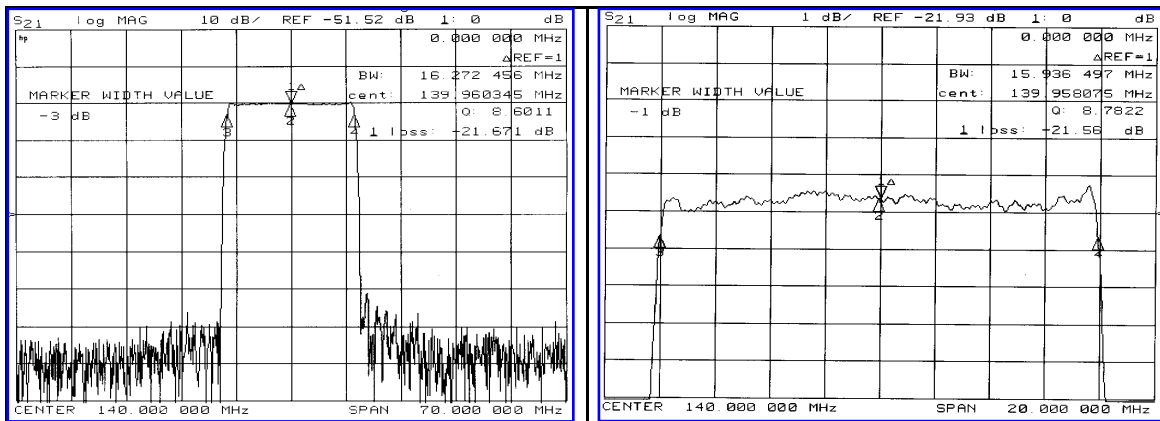


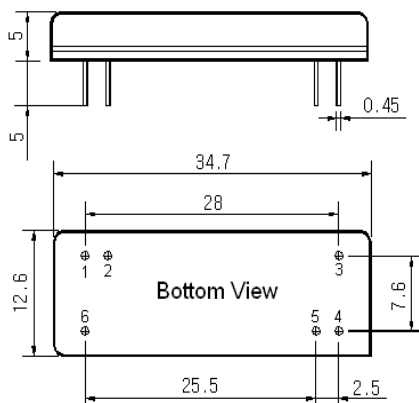
### Typical Performance



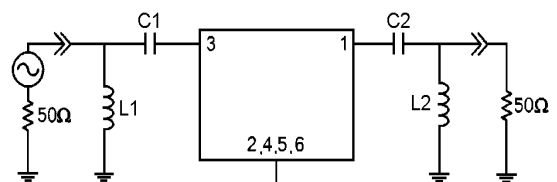
### Specification

Parameter	Unit	Min.	Typ.	Max.
Center Frequency	MHz	139.85	140.00	140.15
Insertion Loss	dB	-	21.6	24.00
3dB Bandwidth	MHz	16.20	16.27	-
Passband Ripple	dB	-	0.70	1.00
Group Delay Variation	nsec	-	100	200
Absolute Delay	µsec	-	2.24	-
Attenuation referred to the 3dB				
± 400 KHz	dB	10.0	11.7	-
± 600 KHz	dB	20.0	24.0	-
± 1 MHz	dB	40.0	55.0	-
± 5 MHz	dB	50.0	57.0	-
Substrate Material	-	128-LiNbO <sub>3</sub>		
Temperature Coefficient	ppm/°C	-72		

### Package Dimension



### Matching Configuration



50Ω Single-ended  
 L1=47nH, L2=100nH, C1=110pF, C2=82pF  
 Source / Load Impedance = 50Ω  
 Ambient Temperature = 25°C

Rev0.091012

